

PS640 Series Electric Ovens

Model:

- PS640E Electric

Combinations:

- Single Oven
- Double Oven (Two-Stack)
- Triple Oven (Three-Stack)

OWNER'S OPERATING AND INSTALLATION MANUAL

for domestic and standard export ovens

©2007 Middleby Marshall Inc.



is a registered trademark of Middleby Marshall, Inc. All rights reserved.

Middleby Cooking Systems Group • 1400 Toastmaster Drive • Elgin, IL 60120 • (847)741-3300 • FAX (847)741-4406



NOTICE:

This Owner's Operating and Installation Manual should be given to the user. The operator of the oven should be familiar with the functions and operation of the oven.

This manual must be kept in a prominent, easily reachable location near the oven.

It is suggested to obtain a service contract with a Middleby Marshall Authorized Service Agent.

WARNING

FOR YOUR SAFETY, DO NOT STORE OR USE GASOLINE OR OTHER FLAMMABLE VAPORS AND LIQUIDS IN THE VICINITY OF THIS OR ANY OTHER APPLIANCE.

WARNING

Improper installation, adjustment, alteration, service, or maintenance can cause property damage, injury, or death. Read the installation, operation, and maintenance instructions thoroughly before installing or servicing this equipment.

IMPORTANT

An electrical wiring diagram for the oven is located inside the machinery compartment.

IMPORTANT

It is the customer's responsibility to report any concealed or non-concealed damage to the freight company. Retain all shipping materials until it is certain that the equipment has not suffered concealed shipping damage.

NOTICE

CONTACT YOUR MIDDLEBY MARSHALL AUTHORIZED SERVICE AGENT TO PERFORM MAINTENANCE AND REPAIRS. AN AUTHORIZED SERVICE AGENCY DIRECTORY IS SUPPLIED WITH YOUR OVEN.

NOTICE

Using any parts other than genuine Middleby Marshall factory manufactured parts relieves the manufacturer of all warranty and liability.

NOTICE

Middleby Marshall (Manufacturer) reserves the right to change specifications at any time.

NOTICE

The equipment warranty is not valid unless the oven is installed, started and demonstrated under the supervision of a factory certified installer.

NOTICE

A Middleby Marshall certified installer must be used to install and service this appliance.

NOTICE

This equipment is only for professional use and shall be used by qualified people.

RETAIN THIS MANUAL FOR FUTURE REFERENCE.

MIDDLEBY MARSHALL
NO QUIBBLE LIMITED WARRANTY
(U.S.A. ONLY)

MIDDLEBY MARSHALL, HEREINAFTER REFERRED TO AS "THE SELLER", WARRANTS EQUIPMENT MANUFACTURED BY IT TO BE FREE FROM DEFECTS IN MATERIAL AND WORKMANSHIP FOR WHICH IT IS RESPONSIBLE. THE SELLER'S OBLIGATION UNDER THIS WARRANTY SHALL BE LIMITED TO REPLACING OR REPAIRING, AT SELLER'S OPTION, WITHOUT CHARGE, ANY PART FOUND TO BE DEFECTIVE AND ANY LABOR AND MATERIAL EXPENSE INCURRED BY SELLER IN REPAIRING OR REPLACING SUCH PART. SUCH WARRANTY SHALL BE LIMITED TO THE ORIGINAL PURCHASER ONLY AND SHALL BE EFFECTIVE FOR A PERIOD OF ONE YEAR FROM DATE OF ORIGINAL INSTALLATION, OR 18 MONTHS FROM DATE OF PURCHASE, WHICHEVER IS EARLIER, PROVIDED THAT TERMS OF PAYMENT HAVE BEEN FULLY MET.

This warranty is valid only if the equipment is installed, started, and demonstrated under the supervision of a factory-authorized installer.

Normal maintenance functions, including lubrication, cleaning, or customer abuse, are not covered by this **no quibble warranty**.

Seller shall be responsible only for repairs or replacements of defective parts performed by Seller's authorized service personnel. Authorized service agencies are located in principal cities throughout the contiguous United States, Alaska, and Hawaii. This warranty is valid in the 50 United States and is void elsewhere unless the product is purchased through Middleby International with warranty included.

The foregoing warranty is exclusive and in lieu of all other warranties, expressed or implied. There are no implied warranties of merchantability or of fitness for a particular purpose.

The foregoing shall be Seller's sole and exclusive obligation and Buyer's sole and exclusive remedy for any action, including breach of contract or negligence. In no event shall Seller be liable for a sum in excess of the purchase price of the item. Seller shall not be liable for any prospective or lost profits of Buyer.

This warranty is effective on Middleby Marshall equipment sold on, or after, February 15, 1995.

MIDDLEBY MARSHALL INC.
OVEN LIMITED WARRANTY
(Non U.S.A.)

The Seller warrants equipment manufactured by it to be free from defects in material and workmanship for which it is responsible. The Seller's obligation under this warranty shall be limited to replacing or repairing, at Seller's option, without charge, F.O.B. Seller's factory, any part found to be defective and any labor and material expense incurred by Seller in repairing or replacing such part. Such warranty is limited to a period of one year from date of original installation or 15 months from date of shipment from Seller's factory, whichever is earlier, provided that terms of payment have been fully met. All labor shall be performed during regular working hours. Overtime premium will be charged to the Buyer.

This warranty is not valid unless equipment is installed, started, and demonstrated under the supervision of a factory-authorized installer.

Normal maintenance functions, including lubrication, adjustment of airflow, thermostats, door mechanisms, microswitches, burners and pilot burners, and replacement of light bulbs, fuses and indicating lights, are not covered by warranty.

Any repairs or replacements of defective parts shall be performed by Seller's authorized service personnel. Seller shall not be responsible for any costs incurred if the work is performed by other than Seller's authorized service personnel.

When returning any part under warranty, the part must be intact and complete, without evidence of misuse or abuse, freight prepaid.

Seller shall not be liable for consequential damages of any kind which occur during the course of installation of equipment, or which result from the use or misuse by Buyer, its employees or others of the equipment supplied hereunder, and Buyer's sole and exclusive remedy against Seller for any breach of the foregoing warranty or otherwise shall be for the repair or replacement of the equipment or parts thereof affected by such breach.

The foregoing warranty shall be valid and binding upon Seller if and only if Buyer loads, operates and maintains the equipment supplied hereunder in accordance with the instruction manual provided to Buyer. Seller does not guarantee the process of manufacture by Buyer or the quality of product to be produced by the equipment supplied hereunder and Seller shall not be liable for any prospective or lost profits of Buyer.

THE FOREGOING WARRANTY IS EXCLUSIVE AND IN LIEU OF ALL OTHER EXPRESS AND IMPLIED WARRANTIES WHATSOEVER. SPECIFICALLY THERE ARE NO IMPLIED WARRANTIES OF MERCHANTABILITY OR OF FITNESS FOR A PARTICULAR PURPOSE.

The foregoing shall be Seller's sole and exclusive obligation and Buyer's sole and exclusive remedy for any action, whether in breach of contract or negligence. In no event shall seller be liable for a sum in excess of the purchase price of the item.

TABLE OF CONTENTS

	Page		Page
SECTION 1 – DESCRIPTION	1	SECTION 3 – OPERATION	15
I. OVEN USES	1	I. LOCATION AND DESCRIPTION OF CONTROLS	15
II. OVEN COMPONENTS	1	II. NORMAL OPERATION, STEP-BY-STEP	16
A. Conveyor Motor Drive	1	A. Main Screen	16
B. Crumb Pans	1	B. Daily Startup Procedure	17
C. Conveyor	1	C. Daily Shutdown Procedure	17
D. End Plugs	1	III. QUICK REFERENCE: TROUBLESHOOTING	18
E. Eyebrows	1	IV. SCREEN ALERTS	18
F. Window	1	SECTION 4 – MAINTENANCE	19
G. Machinery Compartment Access Panel	1	I. MAINTENANCE – DAILY	19
H. Serial Plate	1	II. MAINTENANCE – MONTHLY	20
I. Control Panel	1	III. MAINTENANCE – EVERY 3 MONTHS	21
J. Photo Cell	1	IV. MAINTENANCE – EVERY 6 MONTHS	22
K. Blowers	1	V. KEY SPARE PARTS KIT	23
L. Air Fingers	1	SECTION 5 – TROUBLESHOOTING	24
III. OVEN SPECIFICATIONS	2	SECTION 6 – ELECTRICAL WIRING DIAGRAM	25
A. Dimensions	2	WIRING DIAGRAM, 640 Electric Oven, E208/240V, 50/60 Hz, 3 Ph	25
B. General Specifications	2	WIRING DIAGRAM, 640 Electric Oven, E380-480V, 50/60 Hz, 3 Ph	26
C. Gas Orifice and Pressure Specifications for PS640 Electric Ovens	2		
SECTION 2 – INSTALLATION	3		
I. BASE PAD KIT	4		
II. INSTALLATION KIT	5		
III. VENTILATION SYSTEM	8		
A. Requirements	8		
B. Recommendations	8		
C. Other Ventilation Concerns	8		
IV. ASSEMBLY	9		
A. Base Pad, Legs, Casters	9		
B. Stacking	10		
C. Restraint Cable Installation	10		
D. Conveyor Installation	11		
E. Standoff Installation	11		
V. FINAL ASSEMBLY	12		
VI. ELECTRICAL SUPPLY	13		
Connection	13		
UTILITY ROUGH-IN DIMENSIONS AND POSITIONING FOR PS840-SERIES OVENS	14		
Circuit Breaker	14		
Electrical Specifications	14		
Electrical Rating	14		
Supply Wire	14		
Suggested	14		

NOTE

Wiring Diagrams are in Section 6 of this Manual.
The diagram for each oven is also on the lower
inner surface of its Control Console.

SECTION 1 – DESCRIPTION

I. OVEN USES

PS640 Series Ovens can be used to bake and/or cook a wide variety of food products, such as pizza, pizza –type products, cookies, sandwiches and others.

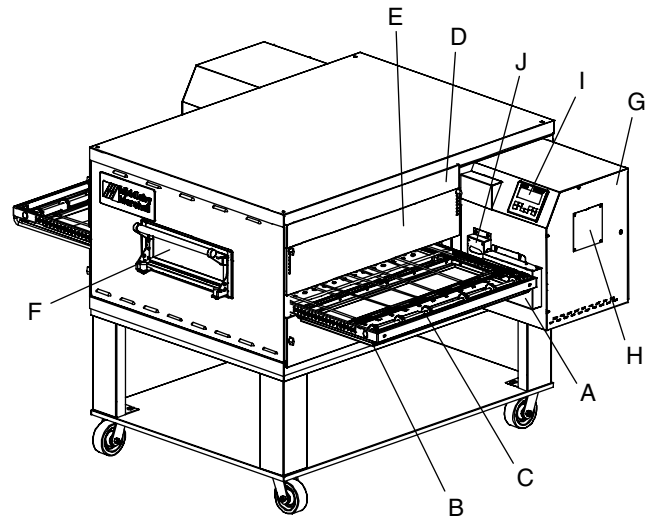
II. OVEN COMPONENTS – see Figure 1-1.

- A. **Conveyor Drive Motor:** Moves the conveyor.
- B. **Crumb Pans:** Catch crumbs and other materials that drop through the conveyor belt. One crumb pan is located at each end of the conveyor.
- C. **Conveyor:** Moves the food product through the oven.
- D. **End Plugs:** Allow access to the oven's interior.
- E. **Eyebrows:** Can be adjusted to various heights to prevent heat loss into the environment.
- F. **Window:** Allows the user to access food products inside the baking chamber.
- G. **Machinery Compartment Access Panel:** Allows access to the oven's interior and control components. No user serviceable parts are located in the machinery compartment.
- H. **Serial Plate:** Provides specifications for the oven that affect installation and operation. Refer to Section 2, [Installation](#) for details.
- I. **Control Panel:** Location of the operating controls for the oven. Refer to Section 3, [Operation](#), for details.
- J. **Photo Cell:** Turns oven On when beam is interrupted.

Not Shown:

- K. **Blowers:** Project hot air from the burner or heating element to the air fingers.
- L. **Air Fingers:** Project streams of hot air onto the food product.

Figure 1-1. Oven Components



I. OVEN SPECIFICATIONS

Table 1-1 Dimensions	Single Oven	Double Oven	Triple Oven
Overall Height	48-3/16" (1219mm)	62-3/4" (1575mm)	78-11/16" (1981mm)
Overall Depth	60" (1524mm)	60" (1524mm)	60" (1524mm)
Overall Length	76-1/2" (1930mm)	76-1/2" (1930mm)	76-1/2" (1930mm)
Conveyor Width – belt width is 32"	33-1/2" (838mm) or 2 x 15" (381mm)	33-1/2" (838mm) or 2 x 15" (381mm)	33-1/2" (838mm) or 2 x 15" (381mm)

Recommended Minimum Clearances			
Rear of Oven to Wall	3" (76mm)	3" (76mm)	3" (76mm)
Control end of conveyor to Wall	1" (25.4mm)	1" (25.4mm)	1" (25.4mm)
Non-control end of conveyor to Wall	1" (25.4mm)	1" (25.4mm)	1" (25.4mm)

Table 1-2: General Specifications	PS640 ELECTRIC
Weight	1150 lbs. (522kg)
Rated Heat Input	34.4 kW/hr (117,500 BTU, 29,610 kcal)
Maximum Operation Temperature	600°F / 315°C
Air Blowers	Two Blowers at 1900 RPM
Warmup Time	15 min.

SERIES PS640 ELECTRICAL SPECIFICATIONS

Main Blower & Elements Voltage	Control Circuit Voltage	Phase	Frequency	Amperage Draw	Poles	Wires
208-240V	208-240V	3 Ph	50/60 Hz	100 Amp	4 Pole	4 Wire (3 hot, 1 grd)
HEATER AMPERAGE						
	Voltage	kW	Amp	Average Amps		
	208	34.4	75	37	37	37
	240	34.4	65	33	33	33
380V	208-240V	3 Ph	50/60 Hz	50 Amp	4 Pole	5 Wire (3 hot, 1neut, 1 grd)
HEATER AMPERAGE						
	Voltage	kW	Amp	Average Amps		
	380v	34.4	40-44	22	22	22
480V	208-240V	3 Ph	50/60 Hz	60 Amp	4 Pole	5 Wire (3 hot, 1neut, 1 grd)
HEATER AMPERAGE						
	Voltage	kW	Amp	Average Amps		
	480	34.4	32.5	28	28	28

IMPORTANT – Additional electrical information is provided on the oven’s serial plate, and on the wiring diagram inside the machinery compartment.

NOTE
Wiring Diagrams are contained in Section 6 of this Manual and are also located inside the oven at the bottom of the Control Panel

This Manual Must Be Kept For Future Reference

SECTION 2 – INSTALLATION

WARNING – After any conversions, readjustments, or service work on the oven:

- **Check that the ventilation system is in operation.**

WARNING - Keep the appliance area free and clear of combustibles.

WARNING – The oven must be installed on an even (level) non-flammable flooring and any adjacent walls must be non-flammable. Recommended minimum clearances are specified in the Description section of this manual.

WARNING – Do not obstruct the flow of combustion and ventilation air to and from your oven. There must be no obstructions around or underneath the oven. Constructional changes to the area where the oven is installed shall not affect the air supply to the oven.

CAUTION: To reduce the risk of fire, the appliance is to be mounted on floors of noncombustible construction with noncombustible flooring and surface finish and with no combustible material against the underside thereof, or on noncombustible slabs or arches having no combustible material against the underside thereof, such construction shall in all cases extend not less than 12 inches (304mm) beyond the equipment on all sides.

CAUTION: For additional installation information, contact your local Authorized Service Agent.

NOTE – There must be adequate clearance between the oven and combustible construction. Clearance must also be provided for servicing and for proper operation.

NOTE – An electrical wiring diagram for the oven is located inside the machinery compartment.

NOTE: All aspects of the oven installation, including placement, utility connections, and ventilation requirements, must conform with any applicable local, national, or international codes. These codes supersede the requirements and guidelines provided in this manual.

NOTE: In the USA, the oven installation must conform to local codes. Electric ovens, when installed, must be electrically grounded in accordance with local codes, or in the absence of local codes, with the National Electrical Code (NEC), or ANSI/NFPA70.

NOTE: In Canada, the oven installation must conform with local codes. Electric ovens, when installed, must be electrically grounded in accordance with local codes, or in the absence of local codes, with the Canadian Electrical Code CSA C22.2.

PS640 OVEN INSTALLATION REQUIRED KITS AND EQUIPMENT

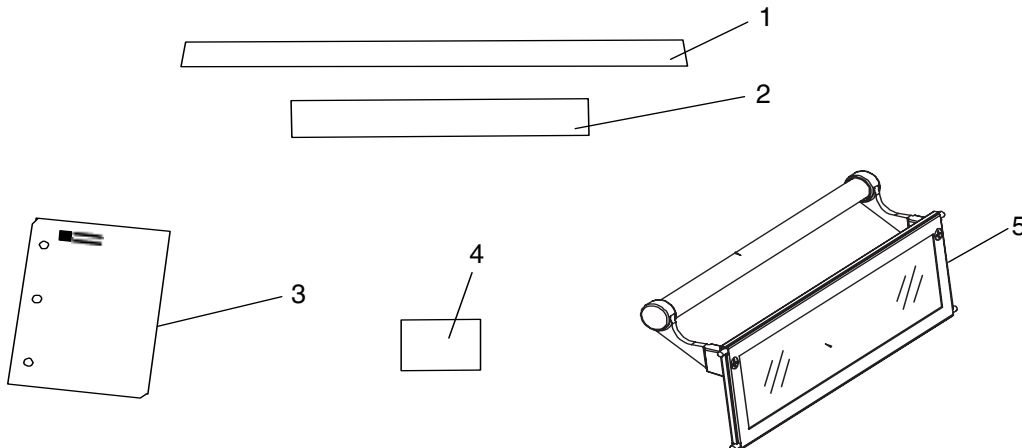
TYPE OF INSTALLATION	PS640 Electric Oven Installation Kit P/N47810-0008	PS640 Single Oven Option Base w/ 15" Legs, Casters & Top Kit P/N59720	PS640 DoubleOven OptionBase w/ 6" Legs, Casters & Top Kit P/N59725	PS640 TripleOven OptionBase w/ Casters& Top Kit P/N59726
PS640 Single Electric Oven	1	1		
PS640 Double Electric Oven	2		1	
PS640 Triple Electric Oven	3			1

PARTS LIST FOR SERIES PS640 ELECTRIC OVEN INSTALLATION KIT P/N 47810-0008

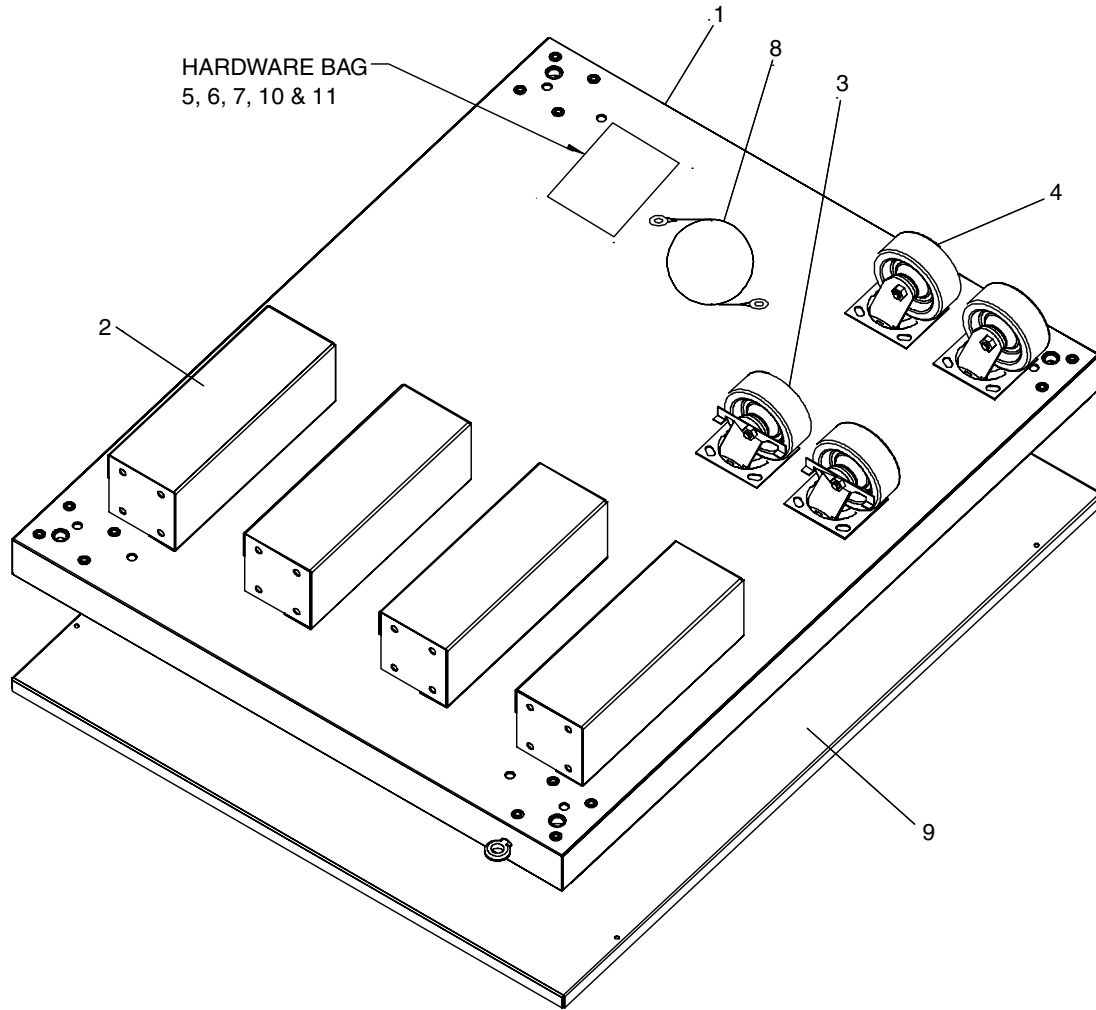
(Two required for double oven)
(Three required for triple oven)

ITEM NO.	QTY	PART NO.	DESCRIPTION
1	1	55028	CONVEYOR END STOP
2	1	55027	CONVEYOR LEFT REAR STOP
3	1	42612	SERVICE AGENCY DIRECTORY
4	1	22500-0080	LABEL, MM
5	1	51054	ASSY, HANDLE & DOOR

Figure 2-1. PS640-Series Electric Oven Installation Parts



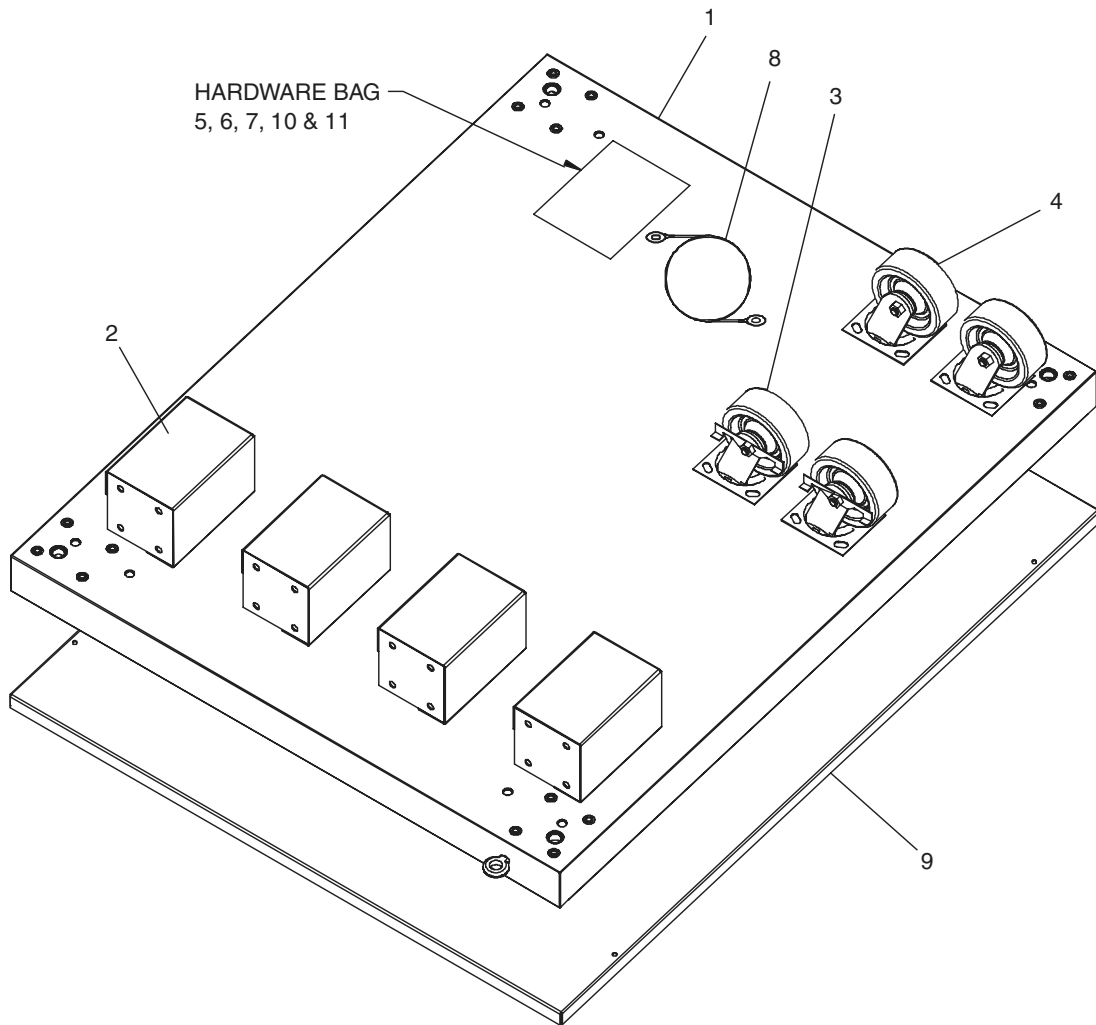
**Figure 2-2. Model PS640 Single Oven
Option Base with Legs and Top**



**PARTS LIST FOR PS640 SERIES SINGLE OVEN OPTION - BASE w/15" LEGS & TOP
P/N 59720**

ITEM NO.	QTY	PART NO.	DESCRIPTION
1	1	60287	COMPLETE BASE WELDMENT
2	4	37900-0024	TOP PLATE, LEG WELDMENT
3	2	22290-0009	SWIVEL CASTER W/BRAKE FLAT PLATE
4	2	22290-0010	SWIVEL CASTER FLAT PLATE
5	32	220373	3/8"-16 x 1" HEX SCREW, SST
6	32	21416-0001	3/8" FLAT WASHER, SS
7	32	21422-0001	3/8" SPLIT LOCK WASHER, ZP
8	1	22450-0228	RESTRAINT CABLE ASSEMBLY
9	1	59560	TOP COVER
10	2	59677	SCR, MS SL TR HD 10-32 x 2-1/2"
11	2	7A2S15	SCR, MS STR TRSHD 10-32 x 3/4"

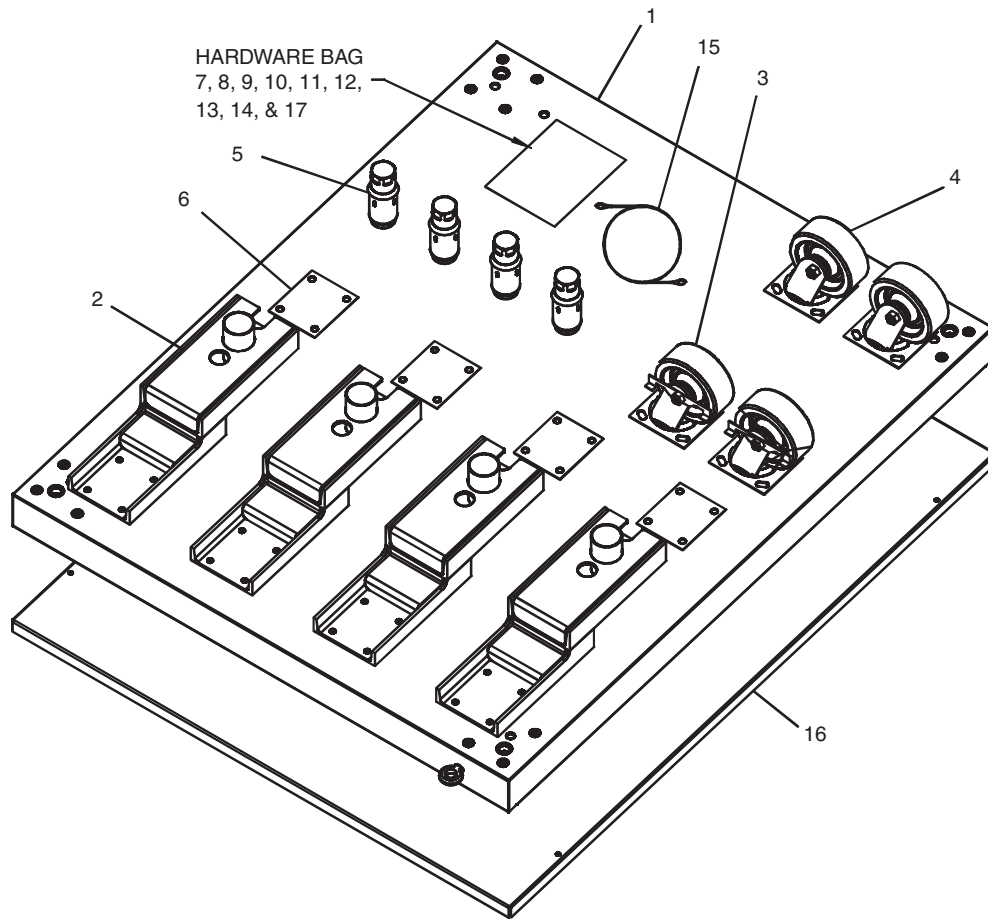
**Figure 2-3. Model PS640 Double Oven
Option Base with Legs and Top**



**PARTS LIST FOR PS640 SERIES DOUBLE OVEN OPTION - BASE w/6" LEGS & TOP
P/N 59725**

ITEM NO.	QTY	PART NO.	DESCRIPTION
1	1	60287	COMPLETE BASE WELDMENT
2	4	37900-0102	TOP PLATE, LEG WELDMENT
3	2	22290-0009	SWIVEL CASTER W/BRAKE FLAT PLATE
4	2	22290-0010	SWIVEL CASTER FLAT PLATE
5	32	220373	3/8"-16 x 13 HEX SCREW, SST
6	32	21416-0001	3/8" FLAT WASHER, SS
7	32	21422-0001	3/8" SPLIT LOCK WASHER, ZP
8	1	22450-0228	RESTRAINT CABLE ASSEMBLY
9	1	59560	TOP COVER
10	2	59677	SCR, MS SL TR HD 10-32 x 2-1/2"
11	2	7A2S15	SCR, MS STR TRSHD 10-32 x 3/4"

**Figure 2-4. Model PS640 Triple Oven
Option Base with Outriggers and Top**



**PARTS LIST FOR PS640 SERIES TRIPLE OVEN OPTION - BASE w/CASTERS & TOP
P/N 59726**

ITEM NO.	QTY	PART NO.	DESCRIPTION
1	1	60287	COMPLETE BASE WELDMENT
2	4	45209	QUAD OUTRIGGER WELDMENT
3	2	22290-0009	SWIVEL CASTER, W/BRAKE FLAT PLATE
4	2	22290-0010	SWIVEL CASTER, FLAT PLATE
5	4	45206	INSERT,QUAD ADJUSTMENT FOOT
6	4	45205	SPACER,QUAD CASTER
7	32	A27727	3/83 -16x1-1/4 HEX BOLT
8	32	A21924	3/83 FLAT WASHER, SS
9	32	21422-0001	3/83 SPLIT LOCK WASHER, ZP
10	16	21172-0004	3/83 -16 NYLON INSULATED LOCKNUT, ZC
11	8	2001048	1/23 -13 x 1-3/8 18-8 HEX CAPSCREW
12	8	A27750	1/23 18-8 FLAT WASHER
13	8	21422-0016	1/23 18-8 LOCK WASHER
14	2	59677	SCR, MS SL TR HD 10-32X2-1/2
15	1	22450-0228	RESTRAINT CABLE ASSEMBLY
16	1	59560	TOP COVER
17	2	7A2S15	SCR, MS STR TRSHD 10-32X3/4"

III. VENTILATION SYSTEM

IMPORTANT

Where national or local codes require the installation of fire suppression equipment or other supplementary equipment, **DO NOT** mount the equipment directly to the oven.

MOUNTING SUCH EQUIPMENT ON THE OVEN MAY:

- **VOID AGENCY CERTIFICATIONS**
- **RESTRICT SERVICE ACCESS**
- **LEAD TO INCREASED SERVICE EXPENSES FOR THE OWNER**

A. Requirements

A mechanically driven ventilation system is **STRONGLY RECOMMENDED** for electric oven installations.

PROPER VENTILATION OF THE OVEN IS THE RESPONSIBILITY OF THE OWNER.

B. Recommendations

NOTE THAT THE HOOD DIMENSIONS SHOWN IN FIGURE 2-5 ARE RECOMMENDATIONS ONLY. LOCAL, NATIONAL AND INTERNATIONAL CODES MUST BE FOLLOWED WHEN INSTALLING THE VENTILATION SYSTEM. ANY APPLICABLE CODES SUPERSEDE THE RECOMMENDATIONS SHOWN IN THIS MANUAL.

The rate of air flow exhausted through the ventilation system may vary depending on the oven configuration and hood design. Consult the hood manufacturer or ventilation engineer for these specifications.

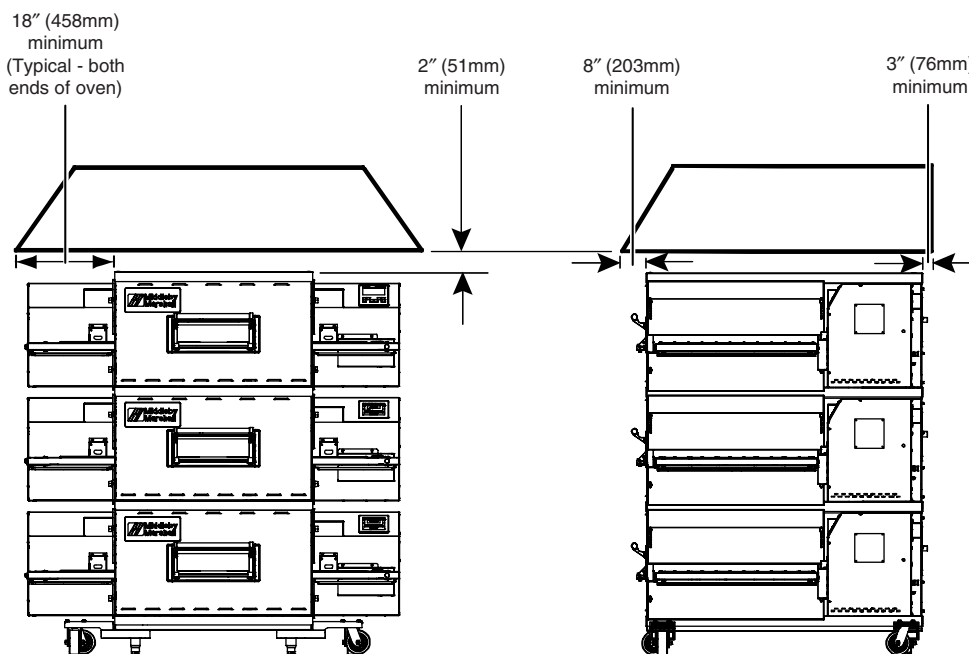
To avoid a negative pressure condition in the kitchen area, return air must be brought back to replenish the air that was exhausted. A negative pressure in the kitchen can cause heat-related problems to the oven components as if there were no ventilation at all. The best method of supplying return air is through the heating, ventilation and air conditioning (HVAC) system. Through the HVAC system, the air can be temperature-controlled for summer and winter. Return air can also be brought in directly from outside the building, but detrimental effects can result from extreme seasonal hot and cold temperatures from the outdoors.

NOTE: Return air from the mechanically driven system must not blow at the opening of the baking chamber. Poor oven baking performance will result.

C. Other ventilation concerns

- Special locations, conditions, or problems may require the services of a ventilation engineer or specialist.
- Inadequate ventilation can inhibit oven performance.
- It is recommended that the ventilation system and duct work be checked at prevailing intervals as specified by the hood manufacturer and/or HVAC engineer or specialist.

Figure 2-5. Ventilation System



IV. ASSEMBLY

A. Top Panel and Base Pad Assembly

1. Install the four leg extensions onto the base pad using the 3/8"-16 x 1" screws, 3/8" flat washers, and 3/8" lockwashers supplied in the Base Pad Kit. See Figure 2-6. Check that the finished sides of each leg extension face OUTWARDS. One rear leg should be attached using three 3/8"-16 x 1" screws and the 3/4" eyebolt, as shown in Figure 2-6. This eyebolt acts as the anchor point for the restraint cable assembly (see Part C, Restraint Cable Installation).
2. If your oven is equipped with the lower shelf, position it in place as shown in Figure 2-6. Check that the lip on the shelf faces DOWN. Seal joint between leg and shelf with NSF listed silicone.
3. Install one caster onto each leg extension, as shown in Figure 2-7. Use the 3/8"-16 x 1" screws, 3/8" flat washers, and 3/8" lockwashers supplied in the Installation Kit. The locking casters should be installed at the FRONT of the oven. The non-locking casters should be installed at the REAR of the oven.
4. Install the lower oven cavity onto the base pad. See Fig 2-7.
5. For single ovens ONLY:

Install the top panel using the screws included in the base pad kit, as shown in Figure 2-8. Then, skip ahead to Part C, Restraint Cable Installation.

For double or triple ovens:

Continue on to Part B, Stacking. Note that the top panel should NOT be installed for double and triple ovens until after stacking the oven cavities.

Figure 2-7. Base pad Installation

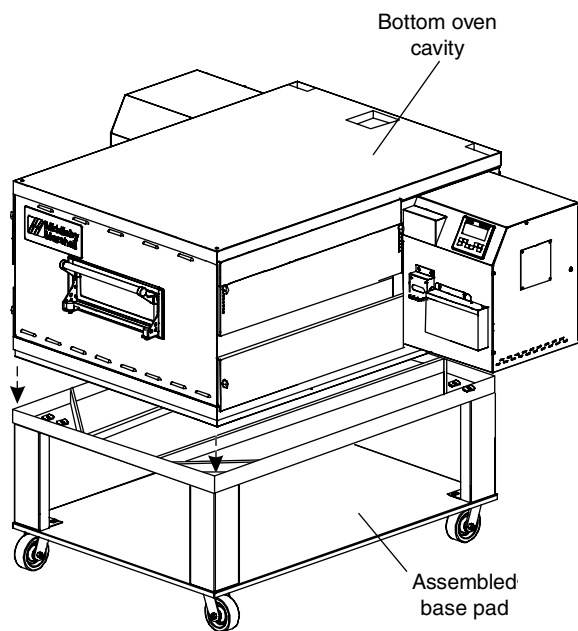


Figure 2-6. Leg extension and casters installation

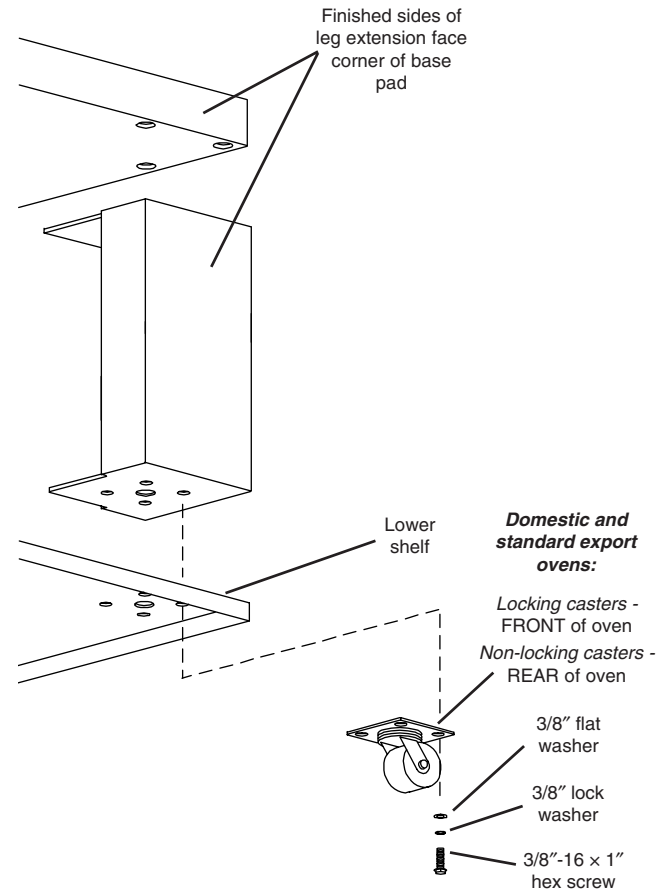
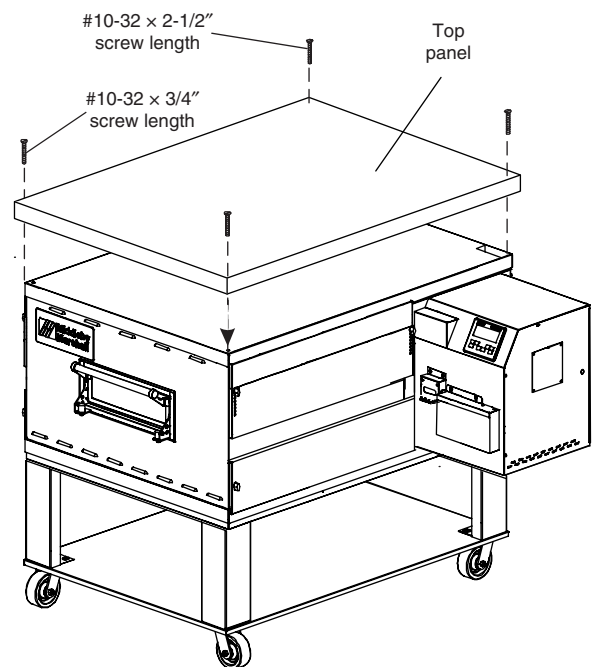


Figure 2-8. Top panel installation



NOTE: DO NOT install top panel onto double or triple ovens until AFTER stacking the oven cavities. See Part B, Stacking.

B. Stacking

For single ovens, skip ahead to Part C, Restraint Cable Installation.

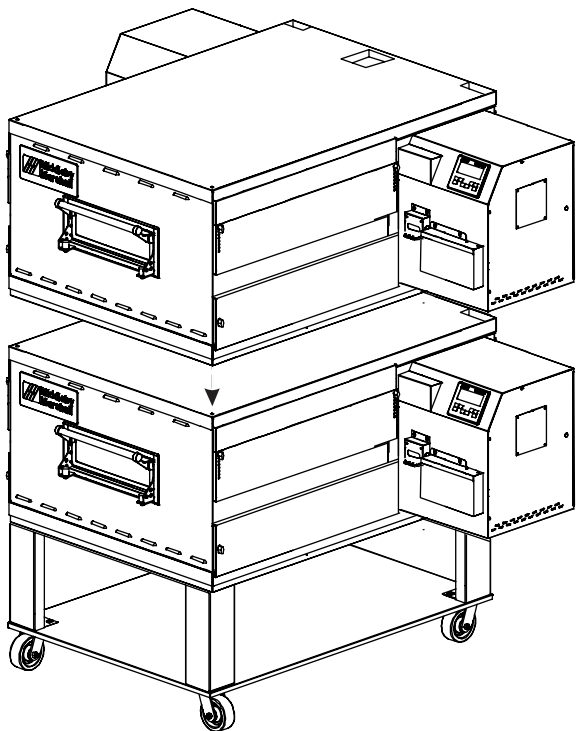
IMPORTANT

Middleby Marshall STRONGLY RECOMMENDS that PS640 Gas oven cavities be stacked BY AUTHORIZED PERSONEL.

Contact your Middleby Marshall Authorized Service Agent for complete stacking instructions.

- Stack an oven cavity on top of the lower oven. Check the following:
 - All four sides of the lower lip (on the bottom edge of the oven cavity) overlap the top of the lower oven
 - The oven is level
 - The oven is firmly seated
- See Figure 2-9.
- For triple ovens, repeat Step 1 to install the top oven cavity.
 - Install the top panel using the screws included in the base pad kit, as shown in Figure 2-10.

Figure 2-9. Stacking



C. Restraint Cable Installation

Because the oven is equipped with casters, a restraint cable assembly must be installed to limit the movement of the appliance without depending on the connector and the quick disconnect device or its associated piping. One end of the cable is anchored to the eyebolt on the rear surface of the oven's base pad, while the other is anchored to the wall. See Figure 2-11. After connecting the restraint cable, move the oven to its final location. Adjust the bottom (hex) sections of the feet so that the casters are off the floor. For quad ovens, lock the two front casters.

Figure 2-10. Top panel installation

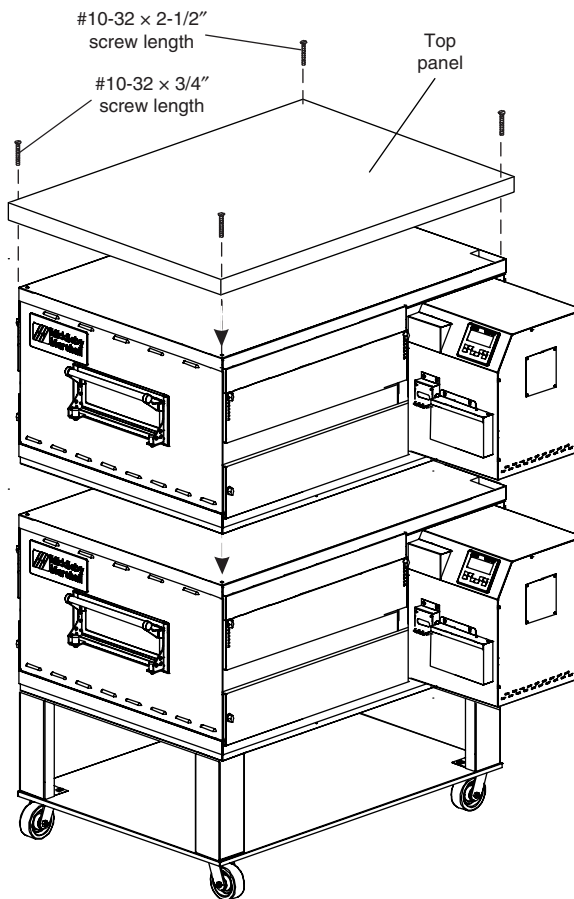
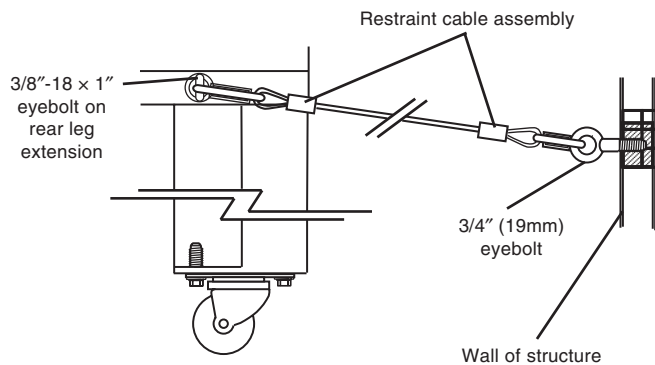


Figure 2-11. Installing the Restraint Cable



D. Conveyor Installation

1. Unfold the conveyor as shown in Figure 2-12. Then, begin to slide the conveyor into the end of the oven. The conveyor can only be installed from the end of the oven with the drive motor.
2. Continue moving the conveyor into the oven until the frame protrudes equally from each end of the oven. Check that the crumb tray supports located on the underside of the conveyor frame rest firmly against the lower end plugs, as shown in Figure 2-13.
3. When the conveyor is positioned properly, check for freedom of movement of the conveyor belt by pulling it for about 2-3 feet (0.6-1.0m) with your fingers. The drive and idler shafts must rotate smoothly, and the belt must move freely without rubbing on the inside of the oven.
4. Check the tension of the conveyor belt as shown in Figure 2-14. The belt should lift about 1" (25mm). **DO NOT OVERTIGHTEN THE CONVEYOR BELT.**

NOTE: If necessary, the belt tension can be adjusted by turning the conveyor adjustment screws, located at the idler (non-control) end of the conveyor. See Figure 2-14.

Figure 2-12. Conveyor installation

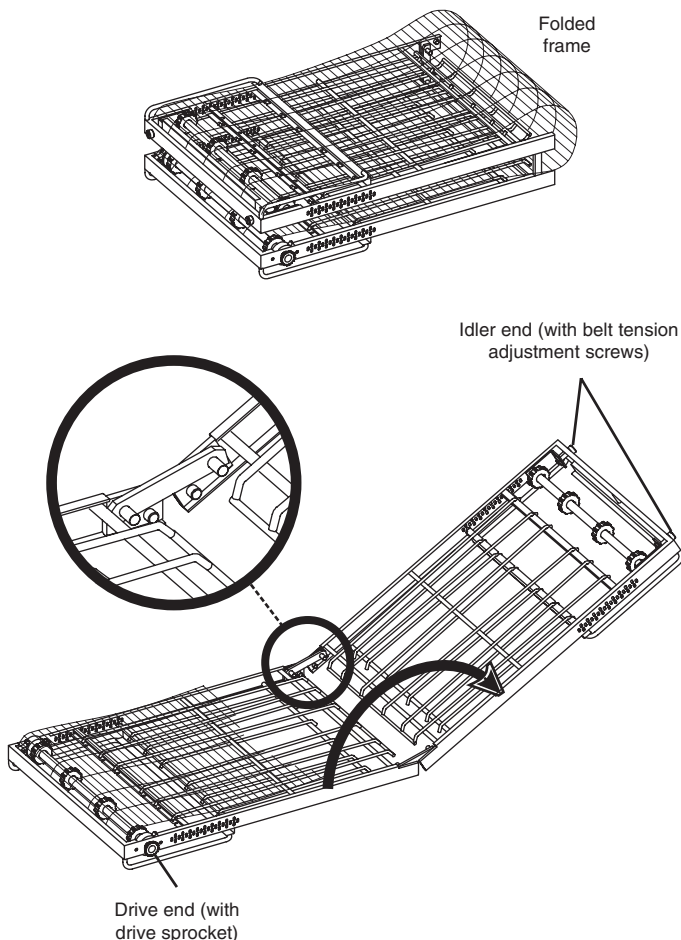


Figure 2-13. Conveyor placement

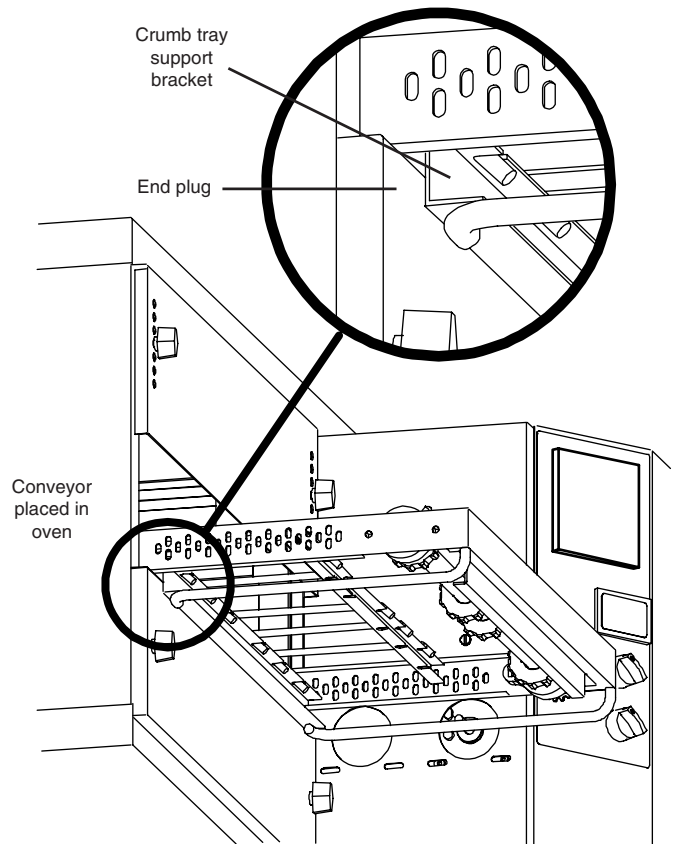
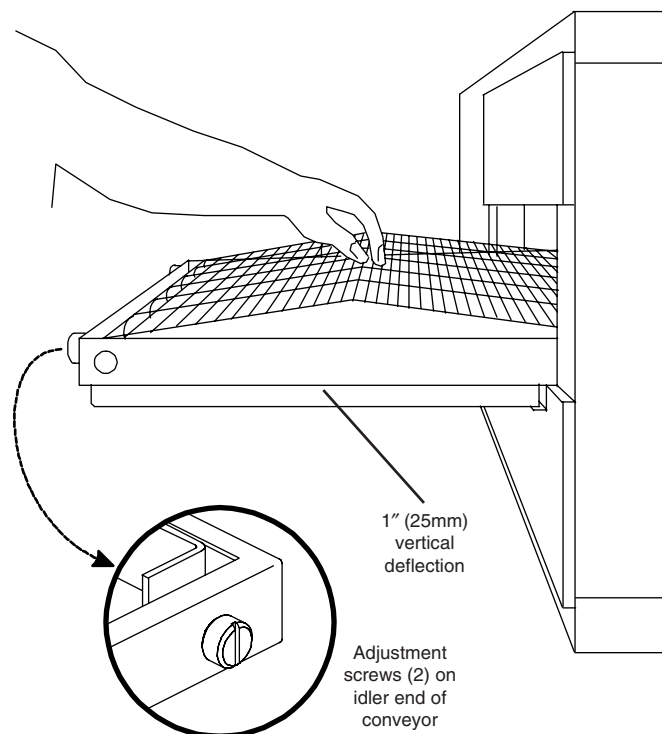
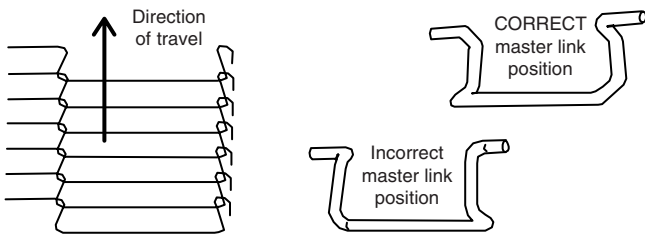


Figure 2-14. Conveyor Belt tension



5. If it is necessary to add or remove conveyor links to achieve the correct tension, OR if it is necessary to reverse the conveyor belt for correct orientation, the belt will need to be removed from the conveyor frame. If this is necessary, perform the following procedure:
 - Remove the conveyor assembly from the oven and place it flat on the floor.
 - Remove the master links using long-nose pliers. Then, roll up the belt along the length of the conveyor frame.
 - Add or remove belt links as necessary to achieve the correct belt tension.
 - Replace the belt on the conveyor frame. Check that the conveyor belt links are oriented as shown in Figure 2-15, and that the smooth side of the conveyor belt faces UP.
 - Connect the inside master links. Check that the links are oriented as shown in Figure 2-15.
 - Connect the outside master links. Note that the outside master links each have an open hook on one side. This hook aligns with the hooks along the sides of the other conveyor links. See Figure 2-15.
 - Replace the conveyor into the oven.

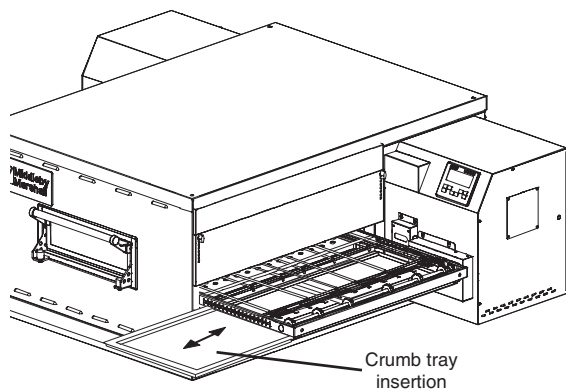
Figure 2-15. Conveyor and Master Link orientation



E. Final Assembly

1. Install the crumb trays underneath the conveyor as shown in Figure 2-16.

Figure 2-16. Crumb Trays



CONVEYOR BELT REVERSAL

Conveyor belt reversal consists of three steps:

1. Physically reversing the conveyor belt.
2. Resetting direction jumper on the conveyor control board.
3. Switching the photo detector.

REVERSING THE CONVEYOR BELT

Remove the conveyor from the oven and find the master link location. Remove master links and remove the belt from the conveyor frame. Reassemble the belt back onto the frame (in the reverse direction) and reinstall the master links. Replace the conveyor assembly in the oven.

RESETTING DIRECTION JUMPER

Locate Jumper P1 on the conveyor control board. Move jumper from terminals 1 and 2, and replace onto terminals 2 and 3.

CAUTION: Shock hazard in compartments electrical filters are electrically alive.



SWITCHING PHOTO DETECTOR

CAUTION: Disconnect Power Before Switching Photo eye.



Remove the three screws securing the access door to the unit. Open the access door and disconnect the connector fitting to the photo eye assembly. Remove the two screws securing the photo eye assembly to the control box. Remove the four nuts securing the photo eye to the housing. Rotate the photo eye 180 degrees and resecure the photo eye with the four nuts.

On the opposite control box, remove the two screws holding the cover where the photo eye assembly will be positioned. Secure the photo eye assembly in position with the two screws. Place the photo eye cover on the opposite control box, where the photo eye assembly was removed, and secure the two screws. Secure the access door with the three screws.

Remove the three screws securing the access door on the opposite side. Open the access door, where the photo eye is now positioned, and connect the photo eye connector fitting. Secure the access door with the three screws.

Apply power to the unit. Adjust the photo eye height by loosening the two screws securing the photo eye assembly and sliding the photo eye assembly either up or down, such that the beam is approximately 1/4 inch above the belt.

Note: This is MUCH easier in reduced light.

Replace all covers.

III. ELECTRICAL CONNECTION INFORMATION FOR PS640E-SERIES OVENS.

WARNING

Authorized supplier personnel normally accomplish the connections for the ventilation system, electric supply, as arranged by the customer. Following these connections, the factory-authorized installer can perform the initial startup of the oven.

Check the oven data plate (Figure 2-17) before making any electric supply connections. Electric supply connections must agree with data on the oven data plate.

NOTE: The electric supply installation must satisfy the requirements of the appropriate statutory authority, such as the National Electrical Code (NEC), ANSI/NFPA70, (U.S.A.); the Canadian Electrical Code, CSA C22.2; the Australian Code AG601; or other applicable regulations.

A fused disconnect switch or a main circuit breaker (customer furnished) **MUST** be installed in the electric supply line for each oven; it is recommended that this switch/ circuit breaker have lockout/tagout capability. The electric supply connection must meet all national and local electrical code requirements. Copper is the recommended material for the electrical supply conductors.

IV. ELECTRIC SUPPLY FOR ELECTRICALLY HEATED OVENS

Power requirements for electrically heated ovens are usually 208 - 240VAC, 3-phase, 4-wire (3 'hot', 1 ground), although ovens built for export can have power requirements of 380VAC and 480VAC. (These ovens have a 5-wire system.) A 2" (51mm) diameter cutout/hole in the back of the machinery compartment provides access for the electrical supply connections. Using flexible cable(s) for the electrical power supply conductors requires a 2" (51mm) strain-relief fitting (not furnished) to enable safe access to the terminal block from which oven power is distributed.

The supply conductors must be of the size and material (copper) recommended to provide the current required; (refer to the data plate for the ampere specifications). The electric current rating for each conductor supplying a PS640E-Series Oven must comply to local and national codes.

Typical specifications for each PS640E-Series Oven are 208V or 240V, 3-phase, 4-wire, 60-ampere, 34.4kW. A PS640E-Series Double Oven (Figure 1-2) installation would require two 60-ampere service connections, one for each oven; the 34.4kW power consumption also doubles for such an installation to 68.8kW.

The 208V or 240VAC electrically heated oven uses two legs of the supplied power to provide 208V or 240VAC power for the oven control circuitry.

MODEL NO. <input type="text"/>	SERIAL NO. <input type="text"/>
Numero de modelo	Numero de serie
ID NO. <input type="text"/>	
VAC <input type="text"/>	AMP <input type="text"/> L1 <input type="text"/> L2 <input type="text"/> L3 <input type="text"/> N
Tension	Intensité
	1.00 TYP. (6) PLCS.
KW <input type="text"/> HZ <input type="text"/>	PH <input type="text"/> WIRE <input type="text"/>
	Phase Cablage
MOTOR VOLTS <input type="text"/>	PH <input type="text"/> AMP <input type="text"/>
Moteur Volts	Phase Intensité
DO NOT INSTALL CLOSER THAN <input type="text"/> INCHES TO A NON-COMBUSTIBLE BACK WALL, AND <input type="text"/> INCHES TO NON-COMBUSTIBLE SIDE WALLS ONLY. FOR INSTALLATION ON COMBUSTIBLE FLOORS ADJACENT TO COMBUSTIBLE WALLS WITH FOLLOWING MINIMUM CLEARANCES: <input type="text"/> INCHES RIGHT SIDE WALL, <input type="text"/> INCHES TO LEFT WALL, <input type="text"/> INCHES TO BACK WALL.	
N'INSTALLEZ PAS À MOINS DE <input type="text"/> PO D'UN PANNEAU ARRIERE INCOMBUSTIBLE ET À <input type="text"/> PO DE PANNEAUX LATÉRAUX INCOMBUSTIBLES UNIQUEMENT. DESTINÉ A UN USAGE AUTRE QUE DOMESTIQUE. INTENDED FOR OTHER THAN HOUSEHOLD USE.	
1400 TOASTMASTER DRIVE ELGIN, ILLINOIS 60120, U.S.A. 58305 REV B	

Figure 2-17. Typical Electric Oven Data Plate

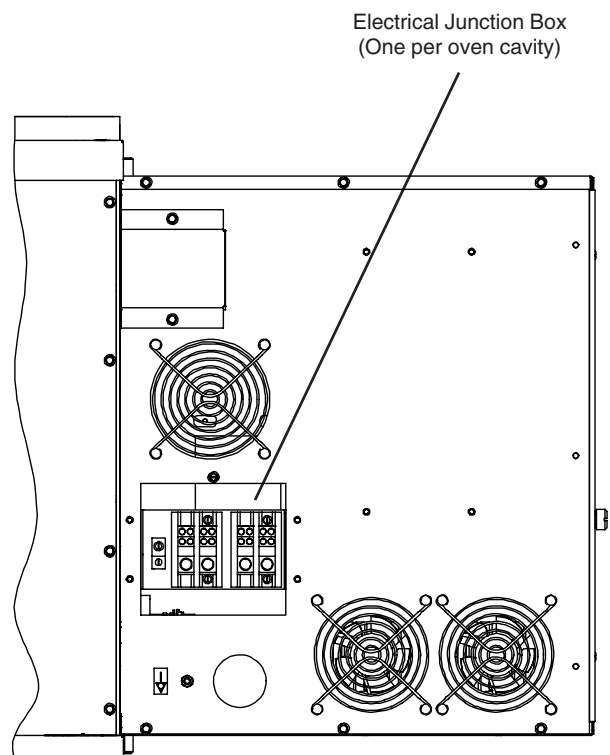


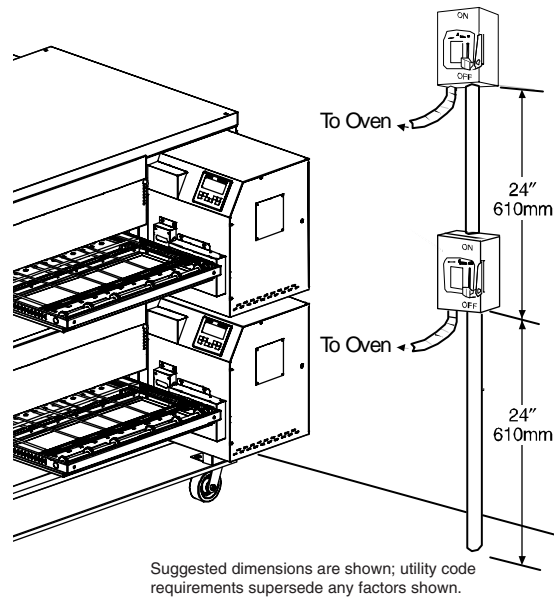
Figure 2-18. Utility Connection Locations for Electric Ovens

UTILITY ROUGH-IN DIMENSIONS AND POSITIONING FOR PS640-SERIES OVENS

WARNING
DO NOT USE CONDUIT FOR GROUND
CONNECTION.

CAUTION
IT IS RECOMMENDED THAT THE OVEN
BE PLACED UNDER A VENTILATION
HOOD FOR ADEQUATE AIR SUPPLY
AND VENTILATION.

ELECTRIC SUPPLY TO BE
PROVIDED BY CUSTOMER



**Figure 2-19. Typical PS640-Series Oven(s)
Installation**

CIRCUIT BREAKER

Separate circuit breaker with lockout/tagout electrical shutoff for each oven. Wire each oven separately.

100 Amp circuit breaker for 208-240V, or 50 Amp circuit breaker for 380-480V.

ELECTRICAL SPECIFICATIONS

DOMESTIC: 208V main blower motors and elements, 3 Ph, 75 Amp draw, 50/60 Hz, 208-240V control circuit, 3 pole, 4 wire system per oven (3 hot, 1 grd).

Do **NOT** use conduit for ground.

or

DOMESTIC: 240V main blower motors and elements, 3 Ph, 65 Amp draw, 50/60 Hz, 208-240V control circuit, 3 pole, 4 wire system per oven (3 hot, 1 grd).

Do **NOT** use conduit for ground.

or

EXPORT: 380V elements, 3 Ph, 40 Amp draw, 50/60 Hz, 208-240V control circuit and main blower motor, 4 pole, 5 wire system per oven (3 hot, 1 neutral, 1 grd).

Do **NOT** use conduit for ground.

or

DOMESTIC: 480V elements, 3 Ph, 32.5 Amp draw, 50/60 Hz, 208-240V control circuit and main blower motor, 4 pole, 5 wire system per oven (3 hot, 1 neutral, 1 grd).

Do **NOT** use conduit for ground.

ELECTRICAL RATING

34.4 kW/hr.

SUPPLY WIRE

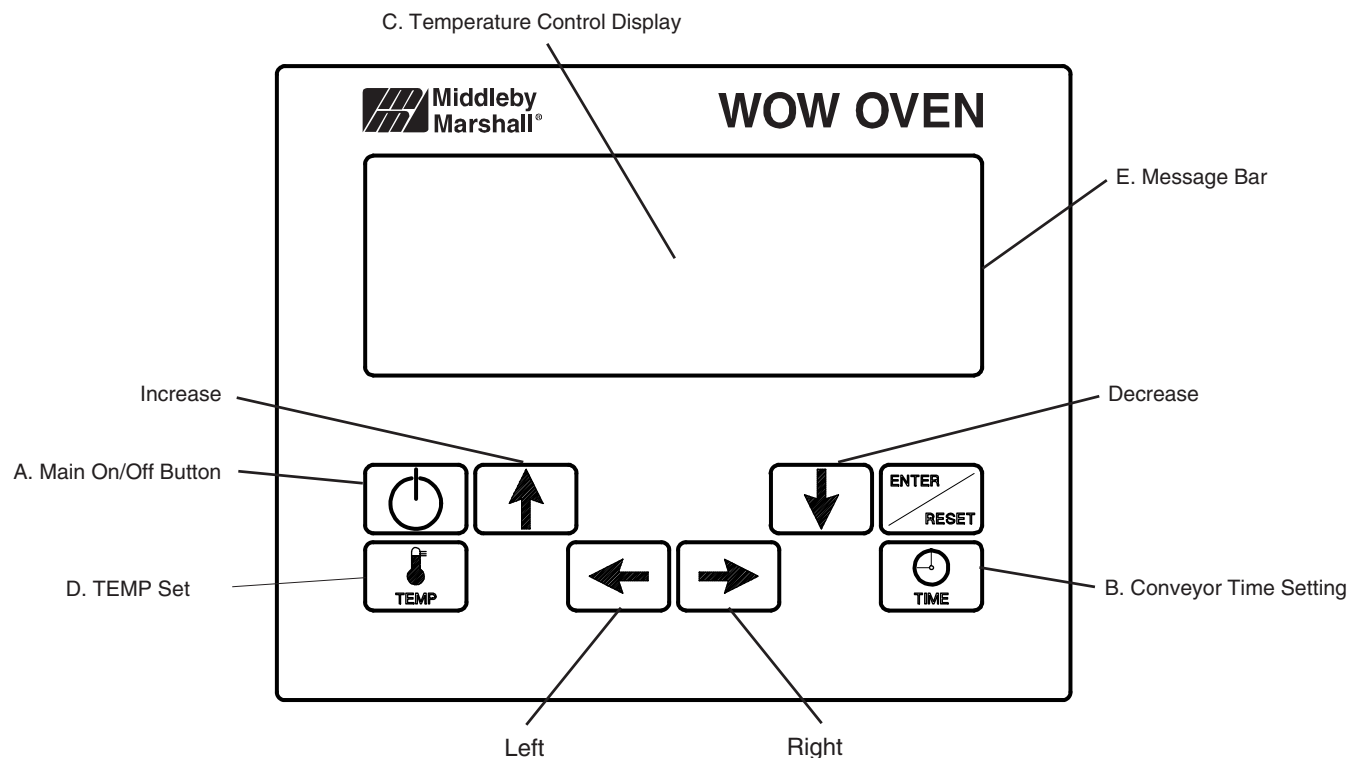
Supply wire size must be in accordance with the National Electrical Code (current edition) and must be in compliance with local codes.

NOTE: The electrical terminal connection marked "MP" located inside the control compartment is designated for the blue (neutral) wire to the oven. See the electrical wiring/schematics in Section 6 of this manual.

SUGGESTED

If space permits, service should be located near the control console end of the oven(s) to allow convenient access to safety switches.

SECTION 3 - OPERATION



LOCATION AND DESCRIPTION OF CONTROLS

A. Main On/Off Button

Turns all oven functions on or off. If the oven is below the set point, it will rise to the set point and turn the conveyor on. If it is turned off and the oven is above 200° F, the blowers will remain on until the oven drops below 200° F.

B. Conveyor Time Setting

Adjusts and displays the conveyor bake time. Dual belt ovens have two displays, single units have one.

C. Temperature Control/Display

Displays the set point of the oven.

D. TEMP Set

Pressing on the "TEMP" button shows individual displays and combined adjustments.

E. Message Bar

Indicates various messages pertaining to current oven conditions.

NORMAL OPERATION - STEP-BY-STEP

A. Main Screen

1. When the unit has been "OFF" for more than 1 minute the controller will display the screen saver, as shown in Figure 3-1. To start operation, push the "Enter/Reset" button. The controller will display the "OFF" screen, as shown in Figure 3-2.

Figure 3-1 Screen Saver

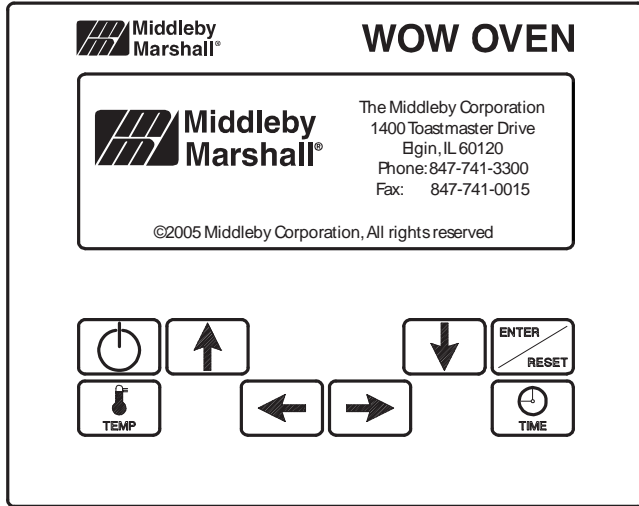
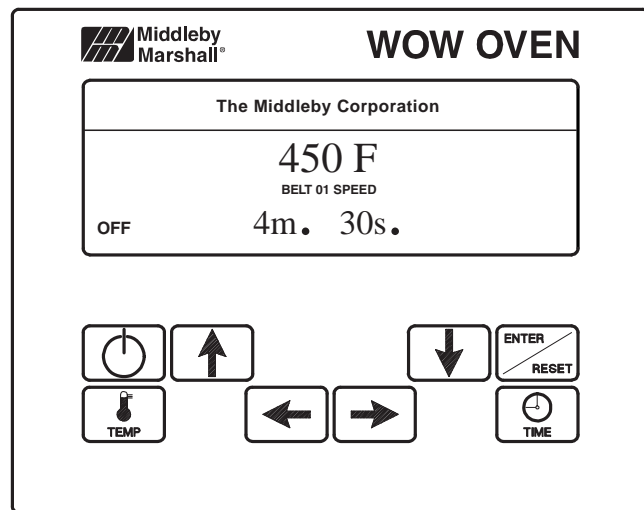
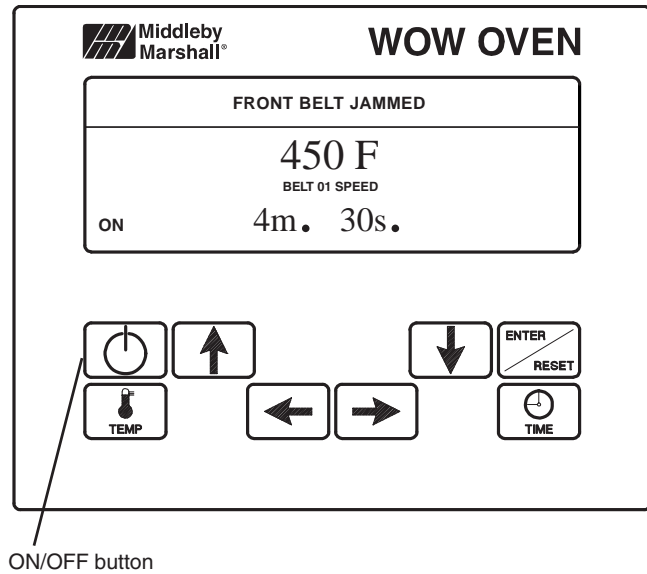


Figure 3-2 Main Screen OFF



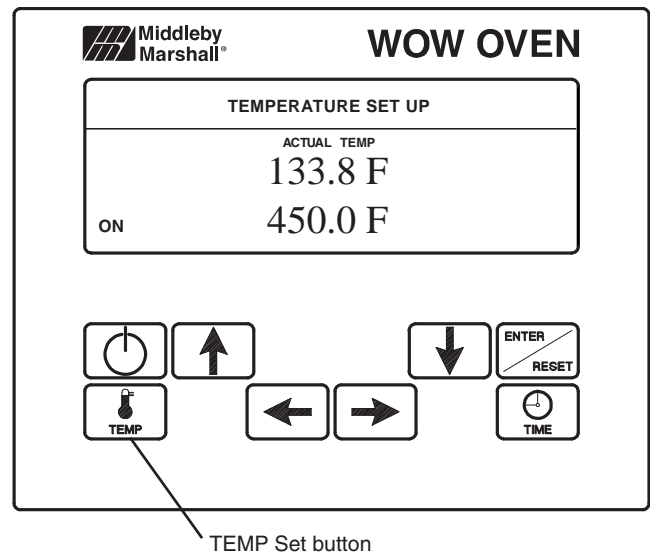
2. Push the "ON/OFF" button to start the oven. The controller will display the screen, as shown in Figure 3-3.

Figure 3-3 Main Screen ON



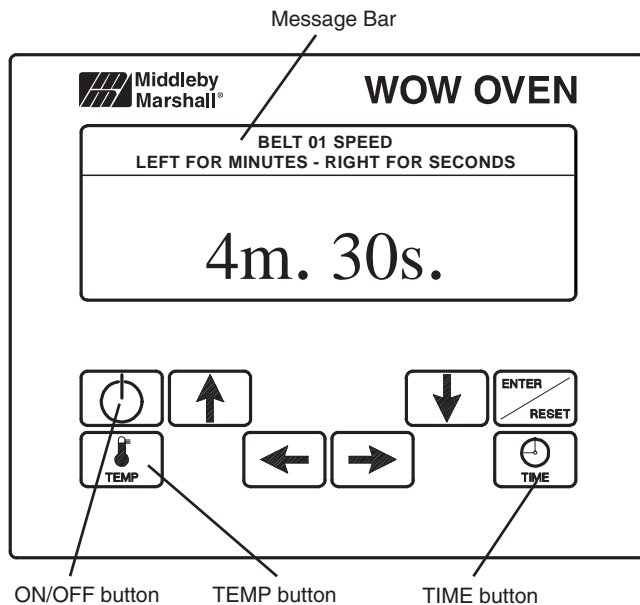
3. To change the temperature, push the "TEMP" button. The controller will display the screen, shown in Figure 3-4. To change the temperature, push the "←" arrow button. Then push either the "↑" arrow or "↓" arrow buttons to increase or decrease temperatures respectively. When the proper temperature is entered, push the "Enter/Reset" button. The controller will now show the display shown in Figure 3-3.

Figure 3-4 Temperature Screen



- To change the conveyor belt speed, push the "TIME" button. The controller will display the screen, shown in Figure 3-5. To change the minute setting, push the "←" arrow button. Then push either the "↑" arrow or "↓" arrow buttons to increase or decrease the time accordingly. To change the second setting, push the "→" arrow button. Then push either the "↑" arrow or "↓" arrow buttons to increase or decrease the time accordingly. When the proper times are entered, push the "ENTER/RESET" button. The controller will now show the display shown in Figure 3-3.

Figure 3-5 Belt Speed Screen



B. Daily Startup Procedure

- Check that the circuit breaker/fused disconnect is in the On position. Check that the window is closed. The touch panel display should be lit.
- Adjust the conveyor to the desired bake time.
- Press the temperature button to display the oven setting. Set temperature as desired.
- Press the "ON" button to activate the oven. The conveyor will not run, until the oven temperature has reached the set points.

C. Daily Shutdown Procedure

- Make certain there are no products left on the conveyor in the oven.
- Press the "ON/OFF" button to turn the oven off.
- Open the window to allow the oven to cool faster.
- After the oven has cooled and the blowers have turned off, the circuit breaker/fused disconnect may be turned off.

Quick Reference – Touch Screen Controller

A. Main Screen

- ON/OFF button - Used to turn oven On and Off.
- TIME - See Separate Instructions.
- TEMP - See Separate Instructions.
- Energy level indicators - Indicators to either side of the screen indicate the energy input to that side of the oven.
- Message bar - Indicates various messages pertaining to current oven conditions.

B. Oven Temperature/Set Point/Indicator Screen

- Actual temperature - Indicates current average temperature of the right side of the oven.
- Set point temperature - Pressing on this value allows the user to adjust the set point of the oven.
- Exit - Returns to the main screen.

C. Energy Modes

Energy Mode One - This mode is automatic, and starts (bake time +1 minute) after the last product has entered the oven. In this mode, the main oven blowers will lower to 1200 RPM, while the oven maintains temperature and belt speed.

III. QUICK REFERENCE: TROUBLESHOOTING

SYMPTOM	PROBLEM	SOLUTION
<i>Oven will not turn On.</i>	No electrical power	<ul style="list-style-type: none"> • Check that the circuit breaker/fused disconnect is on. Make sure the emergency stop button is on.
<i>Oven will not heat.</i>	Faulty contactor	<ul style="list-style-type: none"> • Replace contactor.
	Faulty heater element	<ul style="list-style-type: none"> • Replace element.
<i>Oven is operating, but little or no air is coming from the fingers.</i>	Air fingers may be assembled incorrectly after cleaning.	<ul style="list-style-type: none"> • Turn oven off, and allow to cool. Reassemble fingers correctly.
<i>Conveyor will not move.</i>	Conveyor may be jammed.	<ul style="list-style-type: none"> • Turn oven off, and allow to cool. Check conveyor for blockage.

IV. SCREEN ALERTS

SYMPTOM	PROBLEM	SOLUTION
Battery Symbol in the lower right hand corner	The internal battery needs to be replaced to retain energy mode timings.	<ul style="list-style-type: none"> • A qualified service technician should accomplish this.
High Control Compartment Temperature	Clean rear grills.	<ul style="list-style-type: none"> • Failure to do this will eventually shut down the oven due to excessive temperature.
Control Over Temp	Rear Grills are clogged.	<ul style="list-style-type: none"> • Clean grills.
Front belt jammed	Front belt has stopped.	<ul style="list-style-type: none"> • Remove obstruction, and restart oven. • If no obstruction, call service.
Rear Belt jammed	Rear belt has stopped.	<ul style="list-style-type: none"> • Remove obstruction, and restart oven. • If no obstruction, call service.
High Temp Error	Thermocouple or PLC malfunction.	<ul style="list-style-type: none"> • Call service.
Belt off-Oven not in temperature	Normal operation until Oven reaches operating temperature.	
Energy Saving Mode 1	Normal operation.	

SECTION 4 - MAINTENANCE

WARNING

Before ANY cleaning or servicing of the oven, perform the following procedure:

1. Switch off the oven and allow it to cool. Do NOT service the oven while it is warm.
2. Turn off the electric supply circuit breaker(s) and disconnect the electric supply to the oven.

When all cleaning and servicing is complete:

1. If the oven was moved for servicing, return the oven to its original location.
2. If the restraint cable was disconnected to clean or service the oven, reconnect it at this time.
3. Reconnect the electrical supply.
4. Turn on the electric supply circuit breaker(s).
5. Perform the normal startup procedure.

WARNING

Possibility of injury from moving parts and electrical shock exists in this oven. Switch off and lockout/tagout the electric supply BEFORE beginning to disassemble, clean, or service any oven. Never disassemble or clean an oven with the BLOWER (⊗) switch or any other circuit of the oven switched on.

CAUTION

NEVER use a water hose or pressurized steam-cleaning equipment when cleaning this oven. To avoid saturating the oven insulation, DO NOT use excessive amounts of water. DO NOT use a caustic oven cleaner, which can damage the bake chamber surfaces.

NOTE

ANY replacement parts that require access to the interior of the oven may ONLY be replaced by a Middleby Marshall Authorized Service Agent. It is also strongly recommended that the 3-Month Maintenance and 6-Month Maintenance procedures in this section be performed ONLY by a Middleby Marshall Authorized Service Agent.

I. MAINTENANCE - DAILY

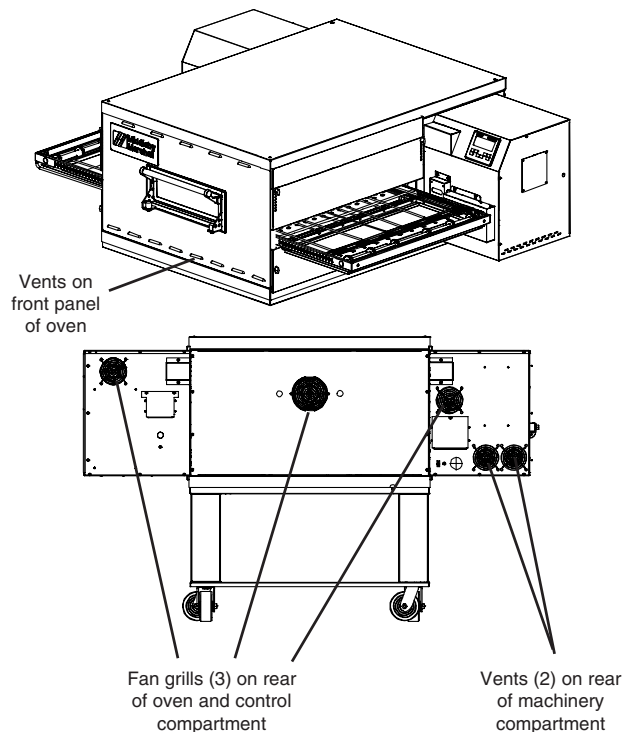
- A. Check that the oven is cool and the power is disconnected, as described in the warning at the beginning of this Section.
- B. Clean ALL of the cooling fan grills and vent openings with a stiff nylon brush. Refer to Figure 4-1 for the locations of the grills and vents.
- C. Clean the outside of the oven with a soft cloth and mild detergent.
- D. Check that ALL cooling fans are operating properly.

CAUTION: If a cooling fan is not operating correctly, it must be replaced IMMEDIATELY. Operating the oven without adequate cooling can seriously damage the oven's internal components.



- E. Clean the conveyor belts with a stiff nylon brush. This is more easily accomplished by allowing the conveyor to run while you stand at the exit end of the conveyor. Then, brush the crumbs off the conveyor as it moves.
- F. Remove and clean the crumb trays. If necessary, refer to Figure 2-16 (in Section 2, [Installation](#)) when replacing the crumb trays into the oven.
- G. Clean the window in place.

Figure 4-1. Cooling Vents and Grills



II. MAINTENANCE – MONTHLY

NOTE: When removing the conveyor, refer to Figure 2-12 (in Section 2, [Installation](#)).

- A. Check that the oven is cool and the power is disconnected, as described in the warning at the beginning of this Section.
- B. Remove the crumb trays from the oven.
- C. Lift the drive end of the conveyor slightly, and push it forward into the oven. This removes the tension from the drive chain. Then, remove the drive chain from the conveyor sprocket.
- D. Slide the conveyor out of the oven, folding it as it is removed.

NOTE: Split belt conveyors can only be removed from the end of the oven with the drive motor.

Single-belt conveyor assemblies may be removed from either end of the oven. If it is to be removed from the end of the oven without drive motor, remove the drive motor sprocket as described in the [Conveyor Installation](#) instructions (in Section 2, [Installation](#)).

- E. Remove the end plugs from the oven. The end plugs are shown in Figure 1-1 (in Section 1, [Description](#)).
- F. Slide the air fingers and blank plates out of the oven, as shown in Figure 4-2. AS EACH FINGER OR PLATE IS REMOVED, WRITE A “LOCATION CODE” ON IT WITH A MARKER to make sure that it can be reinstalled correctly.

Example of markings:

(Top Row)	T1	T2	T3	T4	T5	T6
(Bottom Row)	B1	B2	B3	B4	B5	B6

- G. Disassemble the air fingers as shown in Figure 4-3. AS EACH FINGER IS DISASSEMBLED, WRITE THE “LOCATION CODE” FOR THE FINGER ON ALL THREE OF ITS PIECES. This will help you in correctly reassembling the air fingers.

CAUTION: *Incorrect reassembly of the air fingers will change the baking properties of the oven.*



- H. Clean the air finger components and the interior of the baking chamber using a vacuum cleaner and a damp cloth. Refer to the boxed warnings at the beginning of this Section for cleaning precautions.
- I. Reassemble the air fingers. Then, replace them in the oven, using the “location guide” as a guide.
- J. Replace the end plugs on the oven.
- K. Reassemble the conveyor into the oven. If the drive sprocket was removed when installing the conveyor, replace it at this time.
- L. Reattach the drive chain.
- M. Check the tension of the conveyor belt as shown in Figure 2-14 (in Section 2, [Installation](#)). The belt should lift between 3 - 4” (75-100mm). DO NOT OVERTIGHTEN THE CONVEYOR BELT. If necessary, the belt tension can be adjusted by turning the conveyor adjustment screws, located at the idler (right) end of the conveyor.
- N. Replace the crumb trays.

Figure 4-2. Removing Air Fingers and Plates

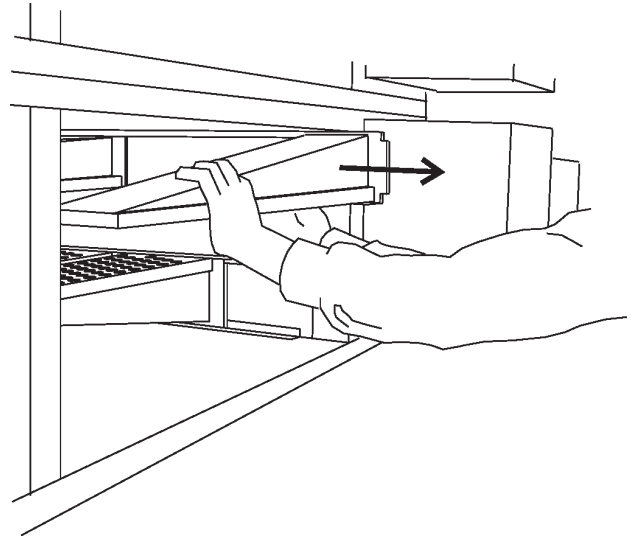
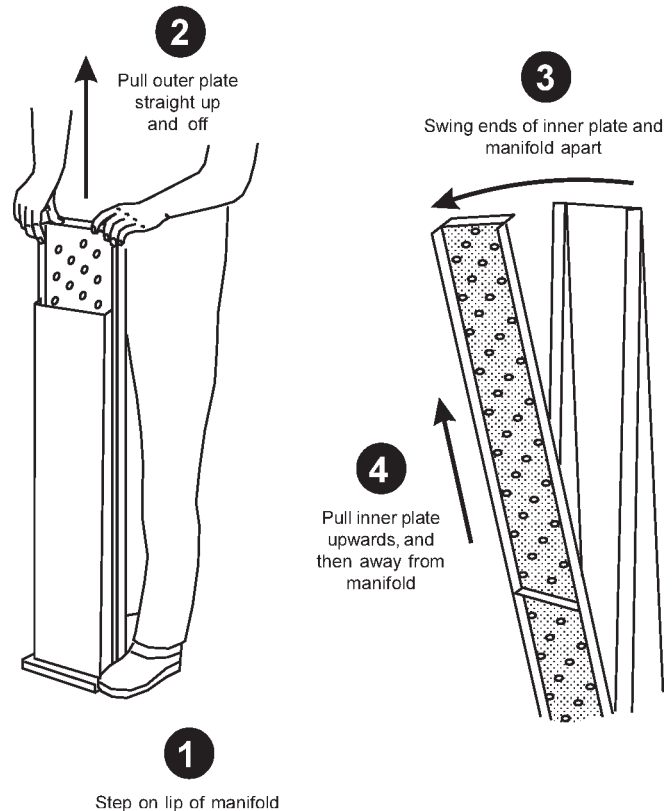
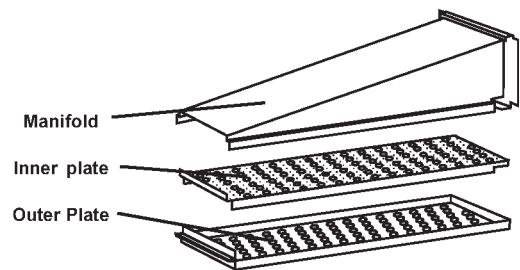


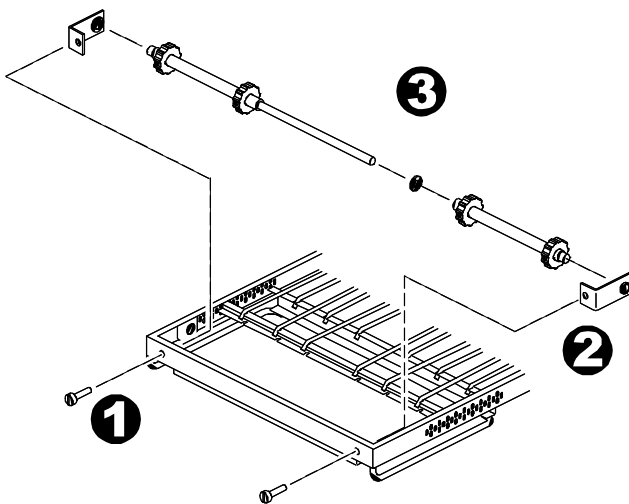
Figure 4-3. Disassembling the Air Fingers



III. MAINTENANCE – EVERY 3 MONTHS

- A. Check that the oven is cool and the power is disconnected, as described in the warning at the beginning of this Section.
- B. Vacuum both of the blower mounts, and their surrounding compartments, using a shop vacuum.
- C. Tighten all electrical terminal screws.
- D. **Split Belt Disassembly and Cleaning**
 1. Refer to Part D, Conveyor Installation, in the Installation section of this Manual. Then, remove the following components from the oven:
 - Conveyor end stop
 - Crumb trays
 - Chain cover
 - Drive chains
 - End plugs
 - Conveyor assembly
 2. Remove the master links from each conveyor belt. Then, roll the belts up along the length of the conveyor to remove them from the frame.
 3. Remove the two conveyor adjustment screws from the idler end of the conveyor frame, as shown in Figure 4-4.
 4. Remove the idler shaft assembly from the conveyor.
 5. Pull apart the two sections of the idler shaft.
 6. Clean the shafts thoroughly using a rag. Then, lubricate both the extended shaft and the interior of the hollow shaft using a light food-grade lubricant. **DO NOT** lubricate the shafts using WD40 or a similar product. This can cause the shafts to wear rapidly.
 7. Before reassembling the shafts into the conveyor frame, check that they are oriented properly.

Figure 4-4. Disassembling the idler shaft



8. Reassemble the idler shaft into the conveyor. Make sure that the bronze washer is in place between the two sections of the shaft. See Figure 4-4.
9. Replace the conveyor adjustment screws as shown in Figure 4-4. To allow the conveyor belt to be reinstalled later, do not tighten the screws at this time.
10. Loosen the set screw on both of the conveyor drive sprockets. Then, remove the sprockets from the shaft.
11. Check the conveyor configuration as follows:

High-speed conveyors are equipped with large flange bearings at both ends of the shaft, as shown in Figure 4-5. For these conveyors, remove the two screws that hold each bearing to the conveyor frame. With the screws removed, lift the end of the shaft at the front of the oven, and pull the entire assembly free of the conveyor frame.

Standard conveyors are equipped with bronze bushings mounted on spacers at both ends of the shaft, as shown in Figure 4-5. For these conveyors, remove the two screws that hold the bracket to the conveyor frame. With the screws removed, lift the end of the shaft at the front of the oven, and pull the entire assembly free of the conveyor frame. The brackets will be removed along with the drive shaft assembly.
12. Disassemble and lubricate the two sections of the drive shaft as described for the idler shaft, above.
13. Before reassembling the shafts into the conveyor frame, check that they are oriented properly.
14. Reassemble the drive shaft into the conveyor. Make sure that the bronze washer is in place between the two sections of the shaft. See Figure 4-4.
15. Replace the drive sprockets. Reassemble the belts and master links onto the conveyor.
16. Reinstall the end plugs and conveyor onto the oven.
17. Reattach the drive chains. Replace the chain cover.
18. Check the tension of the conveyor belt as shown in Figure 2-14 (in Section 2, Installation). The belt should lift about 1" (25mm). If necessary, adjust the belt tension by turning the conveyor adjustment screws.
19. Replace all components onto the oven.

Figure 4-5. Drive shaft configurations

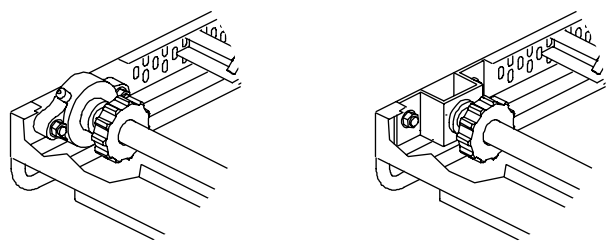


Figure 4-6. Disassembling the drive shaft

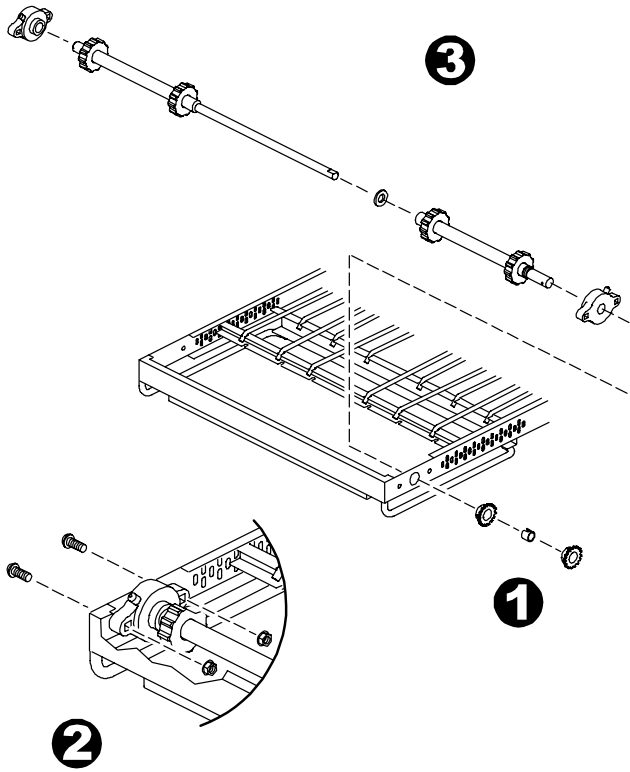
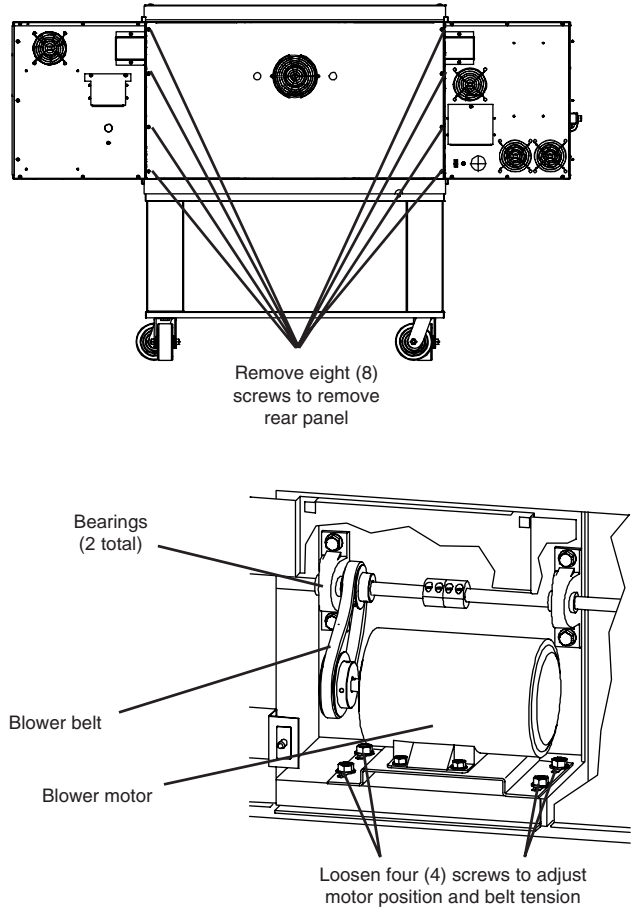


Figure 4-7. Rear panel access



E. Blower Belt

1. Remove the eight screws shown in Figure 4-7. Then, remove the rear panel from the oven.
2. Check the blower belt for the proper 1/4" (6mm) deflection at the center, and for cracking or excessive wear.
See Figure 4-7. Overtightening the belt will cause premature bearing failure and possible vibrations. A loose belt may also cause vibrations.
3. If necessary, adjust the tension of the belt by loosening the four motor mounting bolts. Reposition the motor as necessary until the correct 1/4" (6mm) deflection is reached, then tighten the bolts.

IV. MAINTENANCE - EVERY 6 MONTHS

- A. Check that the oven is cool and the power is disconnected, as described in the warning at the beginning of this Section.
- B. Check for excessive wear on the conveyor drive motor brushes. The brushes should be replaced if they have worn to less than 1/4" (6mm) in length. Be sure to replace the brushes in exactly the same position.
- C. For gas ovens, inspect and clean the burner nozzle and the spark electrode assembly.
- D. Check the conveyor drive shaft bushings and spacers. Replace the components if they are worn.

V. KEY SPARE PARTS – Available separately. See Figure 4-8.

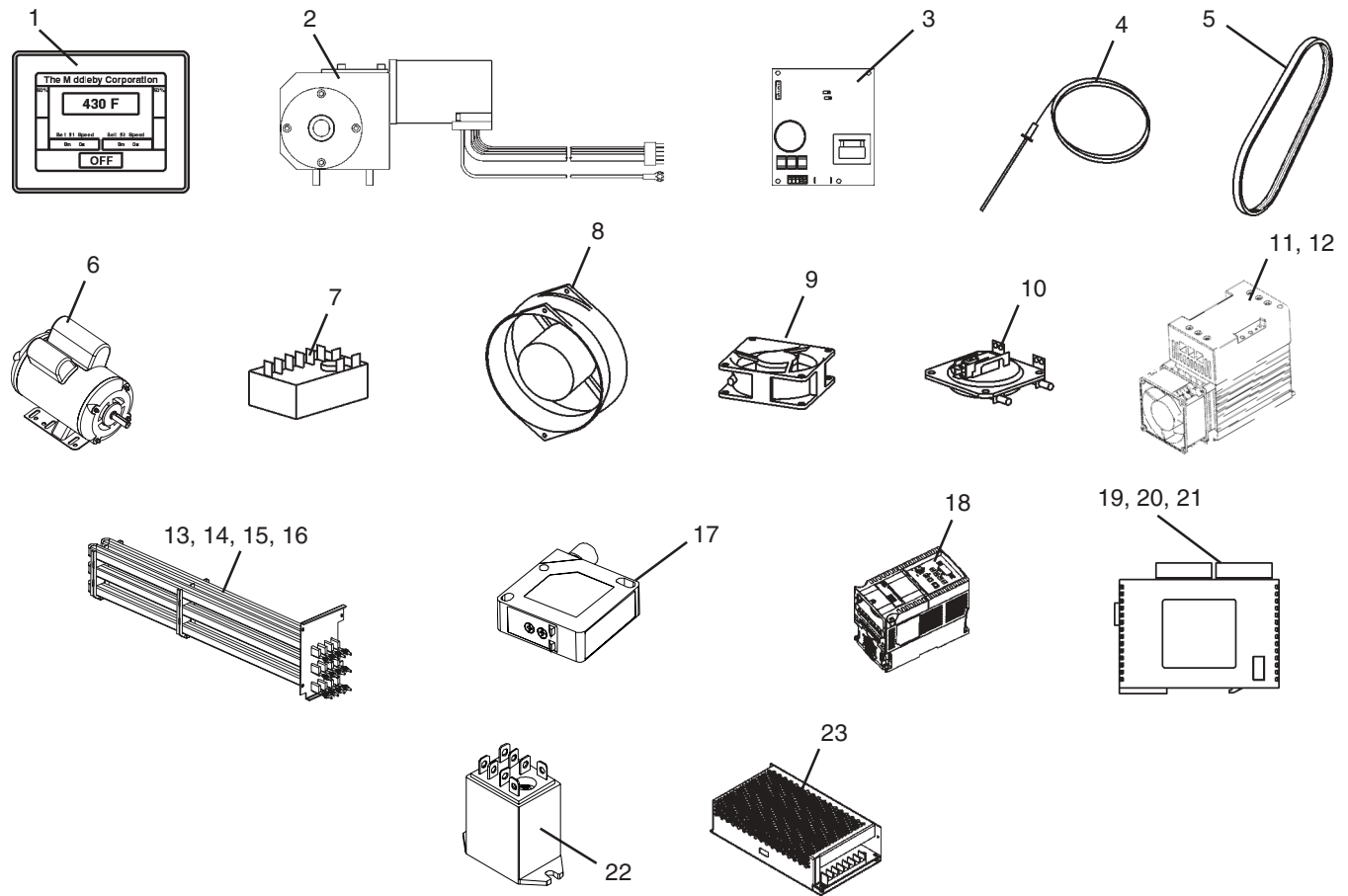
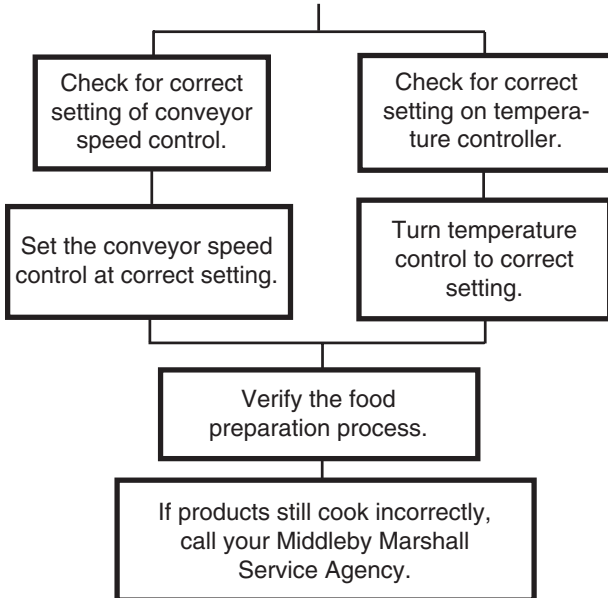


Figure 4-8. Key Spare Parts

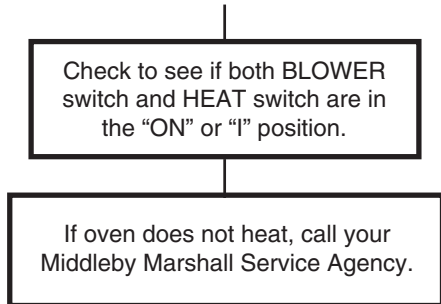
ITEM	QTY.	P/N	DESCRIPTION
1	1	60191	DIGITAL DISPLAY, PROGRAMMED
2	1	58920	CONVEYOR DRIVE MOTOR W/PICKUP ASSY.
3	1	58679	CONVEYOR SPEED CONTROLER
4	1	60196	KIT, THERMOCOUPLE 6"
5	1	59668	BELT, BLOWER
6	1	57288	MOTOR, BLOWER, 2HP
7	1	33983	HIGH LIMIT CONTROL MODULE, 240V
8	1	51399	COOLING FAN (BACKWALL)
9	1	97525	COOLING FAN (CONTROL COMPARTMENT)
10	1	50610	AIR SWITCH
11	2	44914	CONTROLLER, POWER 208V/240V
12	2	44568	CONTROLLER, POWER 380V/480V
13	1	59942	HEATER 208V 34.4kW
14	1	60197	HEATER 240V 34.4kW
15	1	60198	HEATER 380V 34.4kW
16	1	50589	HEATER 480V 34.4kW
17	1	60091	PHOTOCELL
18	1	60638	INVERTER, PROGRAMMED
19	1	60683	PLC
20	1	58668	THERMOCOUPLE MODULE
21	1	58669	CURRENT MODULE
22	2	59132	RELAY, DPDT 24V COIL
23	1	M9608	POWER SUPPLY

SECTION 5 TROUBLESHOOTING

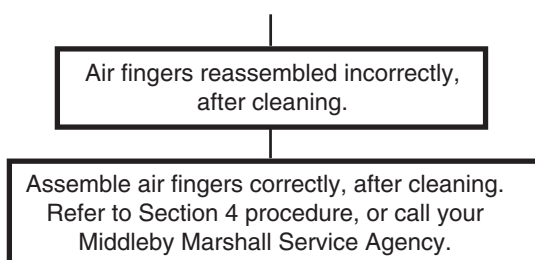
PROBLEM: PRODUCTS ARE OVERCOOKED OR UNDERCOOKED



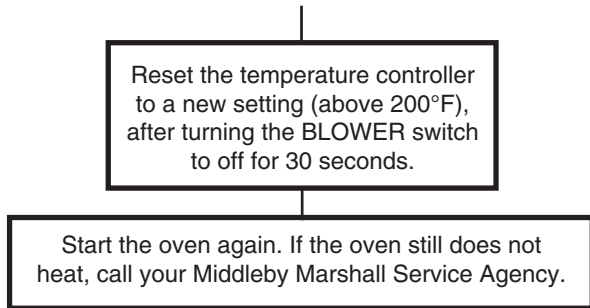
PROBLEM: OVEN DOES NOT HEAT



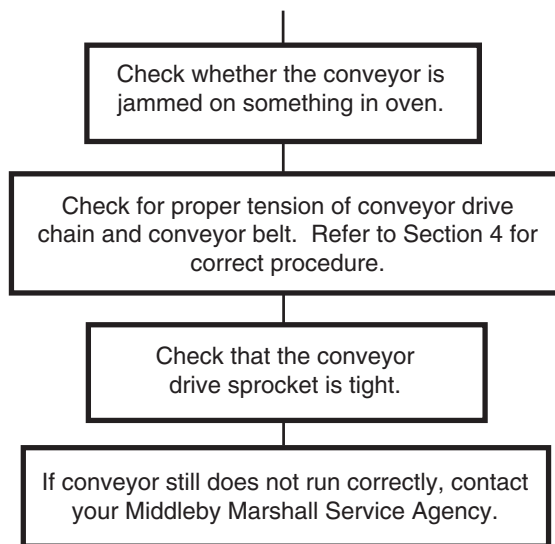
PROBLEM: BLOWER MOTOR IS RUNNING, YET LITTLE OR NO AIR BLOWS FROM AIR FINGERS



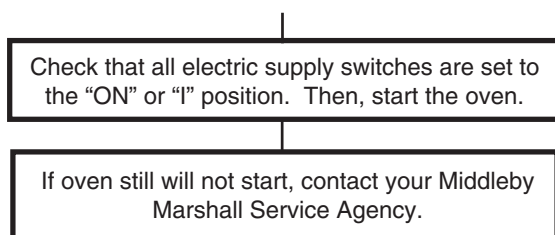
PROBLEM: OVEN BLOWER AND CONVEYOR OPERATE, YET THE OVEN IS NOT HEATING



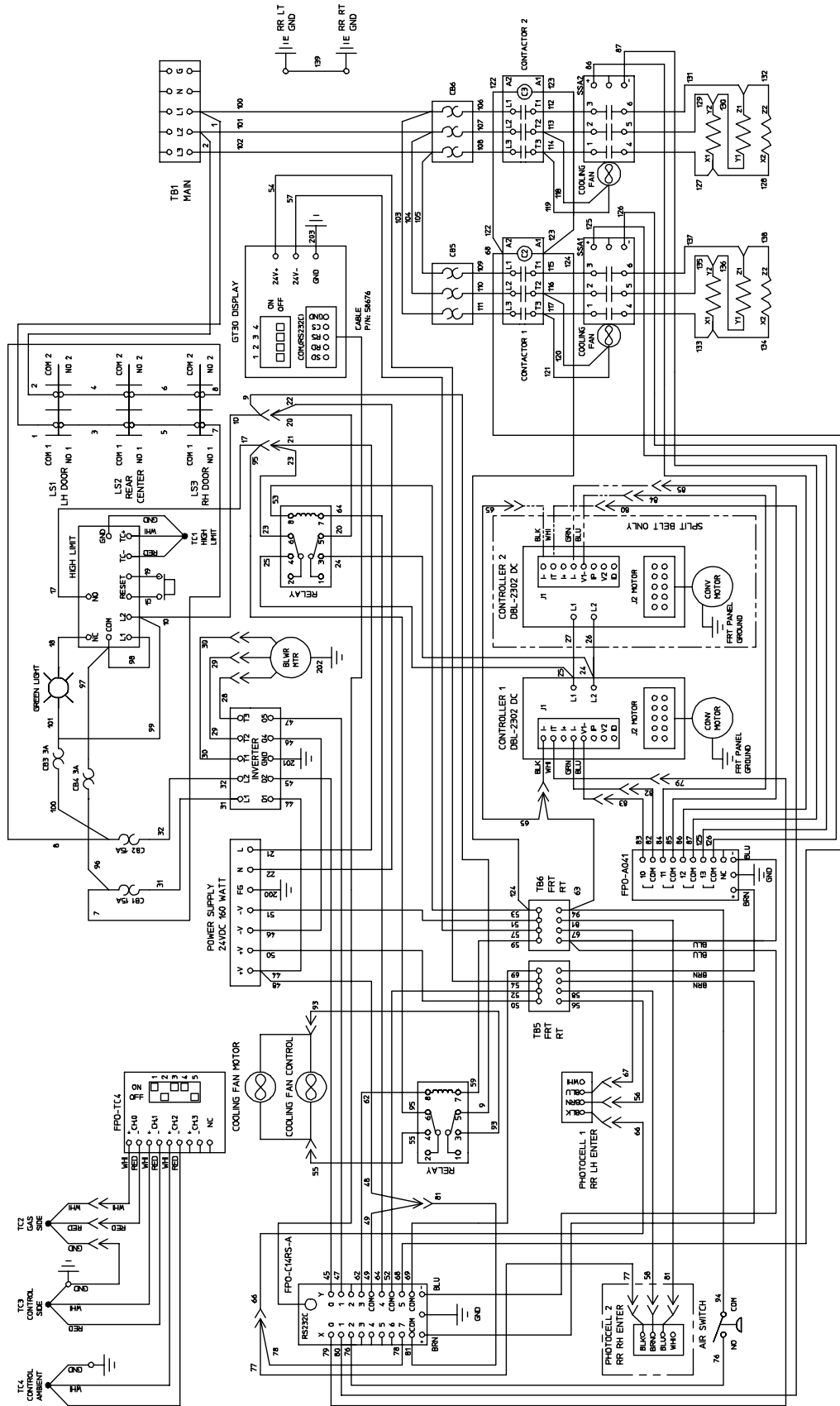
PROBLEM: CONVEYOR WILL NOT HOLD PROPER SPEED OR WILL NOT RUN AT ALL

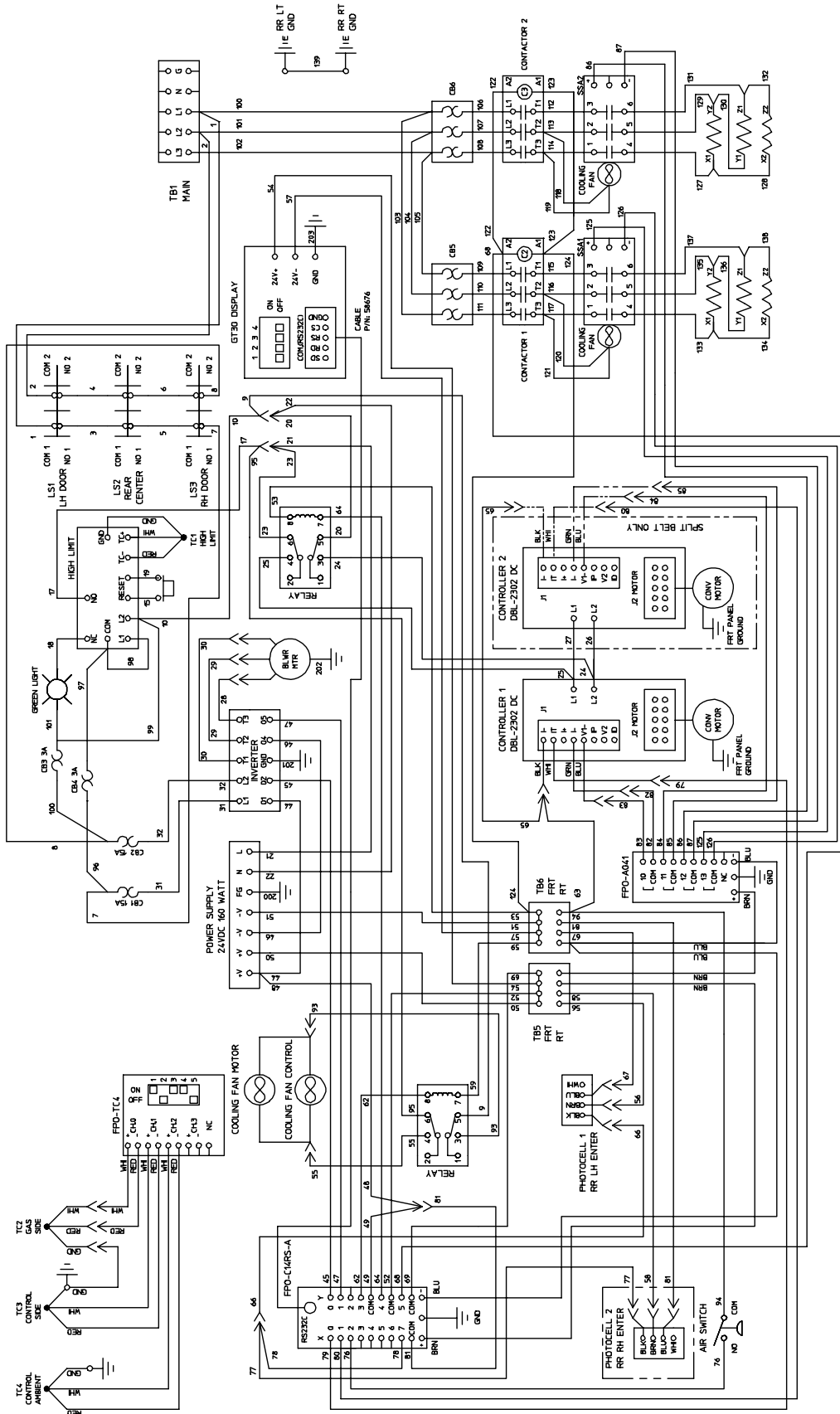


PROBLEM: OVEN DOES NOT TURN ON WHEN ITS SWITCHES ARE TURNED ON



SECTION 6 - WIRING DIAGRAM





NOTES

WARNING

Improper installation, adjustment, alteration, service or maintenance can cause property damage, injury or death. Read the installation, operating and maintenance instructions thoroughly before installing or servicing this equipment.

NOTICE

During the warranty period, ALL parts replacement and servicing should be performed by your Middleby Marshall Authorized Service Agent. Service that is performed by parties other than your Middleby Marshall Authorized Service Agent may void your warranty.

NOTICE

Using any parts other than genuine Middleby Marshall factory manufactured parts relieves the manufacturer of all warranty and liability.

NOTICE

Middleby Marshall reserves the right to change specifications at any time.

CFESA

Commercial Food Equipment Service Association

Middleby is proud to support the Commercial Food Equipment Service Association (CFESA). We recognize and applaud CFESA's ongoing efforts to improve the quality of technical service in the industry.

Middleby Cooking Systems Group • 1400 Toastmaster Drive • Elgin, IL 60120 • USA • (847)741-3300 • FAX (847)741-4406

www.middleby.com

